

Liquid Differential Pressure Sensors 482

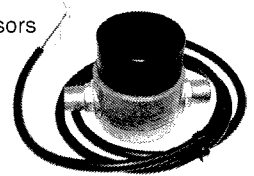
Description

The 482 range of Liquid DP sensors use a piezo-resistive sensor and incorporate zero and span adjustment.

They are ideal for use in areas requiring exact pressure measurement, low hysteresis and long term stability in all applications where air, oil or water is to be monitored

Features

- Economical Differential Pressure Sensors
- 0...10Vdc or 4...20mA output
- Choice of measuring range
- Supplied with 1 metre flying lead
- Complete with mounting bracket

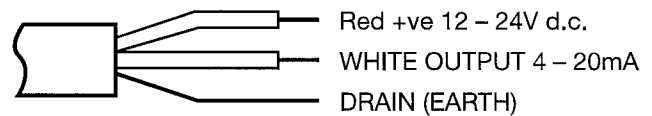


Technical Specification

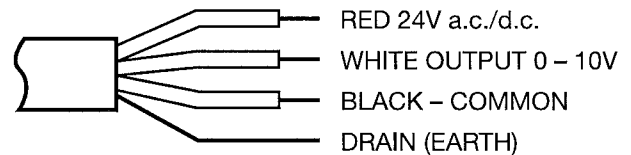
Output Signal:	0...10Vdc 3 wire or 4...20mA 2 wire
Power Supply:	0...10Vdc - 24Vac/dc 4...20mA - 24Vdc
Pressure Ranges:	See order codes
Over Pressure:	1.5 x FS
Accuracy:	0.25% FS
Repeatability:	0.2% FS/Year typical
Pressure Connection:	1/8" BSP female
Temperature:	-20...+80°C
Humidity:	0...80% RH

Wiring

Type 482A: mA Output



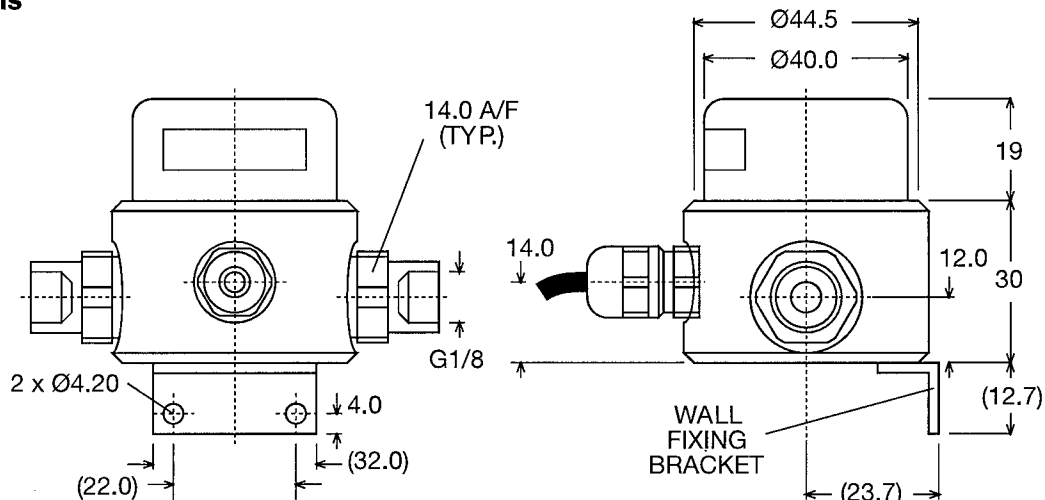
Type 482B: Voltage Output



Order Codes

482-0.4V	DP Sensor 0...10Vdc 0...0.4 bar
482-1V	DP Sensor 0...10Vdc 0...1 bar
482-2V	DP Sensor 0...10Vdc 0...2 bar
482-4V	DP Sensor 0...10Vdc 0...4 bar
482-7V	DP Sensor 0...10Vdc 0...7 bar
482-10V	DP Sensor 0...10Vdc 0...10 bar
482-0.4	DP Sensor 4...20mA 0...0.4 bar
482-1	DP Sensor 4...20mA 0...1 bar
482-2	DP Sensor 4...20mA 0...2 bar
482-4	DP Sensor 4...20mA 0...4 bar
482-7	DP Sensor 4...20mA 0...7 bar
482-10	DP Sensor 4...20mA 0...10 bar

Dimensions



E.C. Products Limited - Head Office

EC House, Amberley Way, Hounslow
Middlesex, TW4 6BH, United Kingdom

Tel: +44 (0)20 8569 4100 Fax: +44 (0)20 8569 4111