



# Air Differential Pressure Switches 930-x

Page 1 of 2

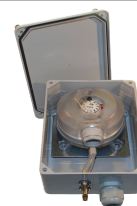
## Description

This 930 range of air differential pressure switches are suitable for low differential switching applications, and are ideal for providing indication of fan status or 'filter dirty' conditions.



## Features

- Close switching differential
- IP65 enclosure option



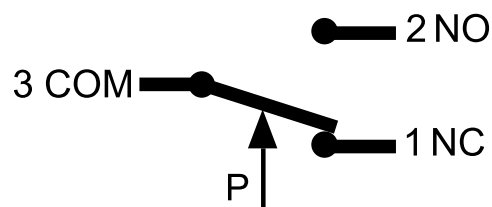
## Technical Specification

<b>Max. operating pressure:</b>	50 mbar
<b>Pressure Connections:</b>	6mm ID push-on tubing
<b>Electrical rating:</b>	1.5A(0.4) @ 250Vac
<b>Approvals:</b>	Switch according to VDE0630UG1652
<b>Connections:</b>	Via 0.25" receptacles
<b>Cable Entry:</b>	M20
<b>Housing Material:</b>	Plastic moulding
<b>Protection:</b>	IP54 (IP65 mounted in 150 x 110 x 75mm enclosure c/w nipples)
<b>Ambient Range:</b>	-20°C to +85°C
<b>Installation Category:</b>	IEC 664 Category II
<b>Pollution Degree:</b>	IEC 664 Degree 1
<b>Weight:</b>	250g

## Installation

Connector P1 of higher pressure or lower vacuum.  
Connector P2 of lower pressure or higher vacuum.  
Connector Ø 6.0 mm for hose PVC 5 x 8 mm.  
The contact 3 - 2 closes and the contact 3 - 1 opens when the differential pressure increases.

## Wiring



## Order codes

<b>930-80</b>	20-300Pa DP Switch
<b>930-83</b>	50-500Pa DP Switch
<b>930-85</b>	200-1000Pa DP Switch
<b>930-80-IP65</b>	20-300Pa DP Switch IP65
<b>930-83-IP65</b>	50-500Pa DP Switch IP65
<b>930-85-IP65</b>	200-1000Pa DP Switch IP65
<b>PA-1B</b>	Right angled mounting bracket
<b>PA-1K</b>	Duct Connection Set
<b>PA1-K2</b>	Plastic Pitot Tube
<b>PA-T</b>	Tee piece
<b>PA-TUBE</b>	30 metre reel of PVC tubing

### E.C. Products Limited - Head Office

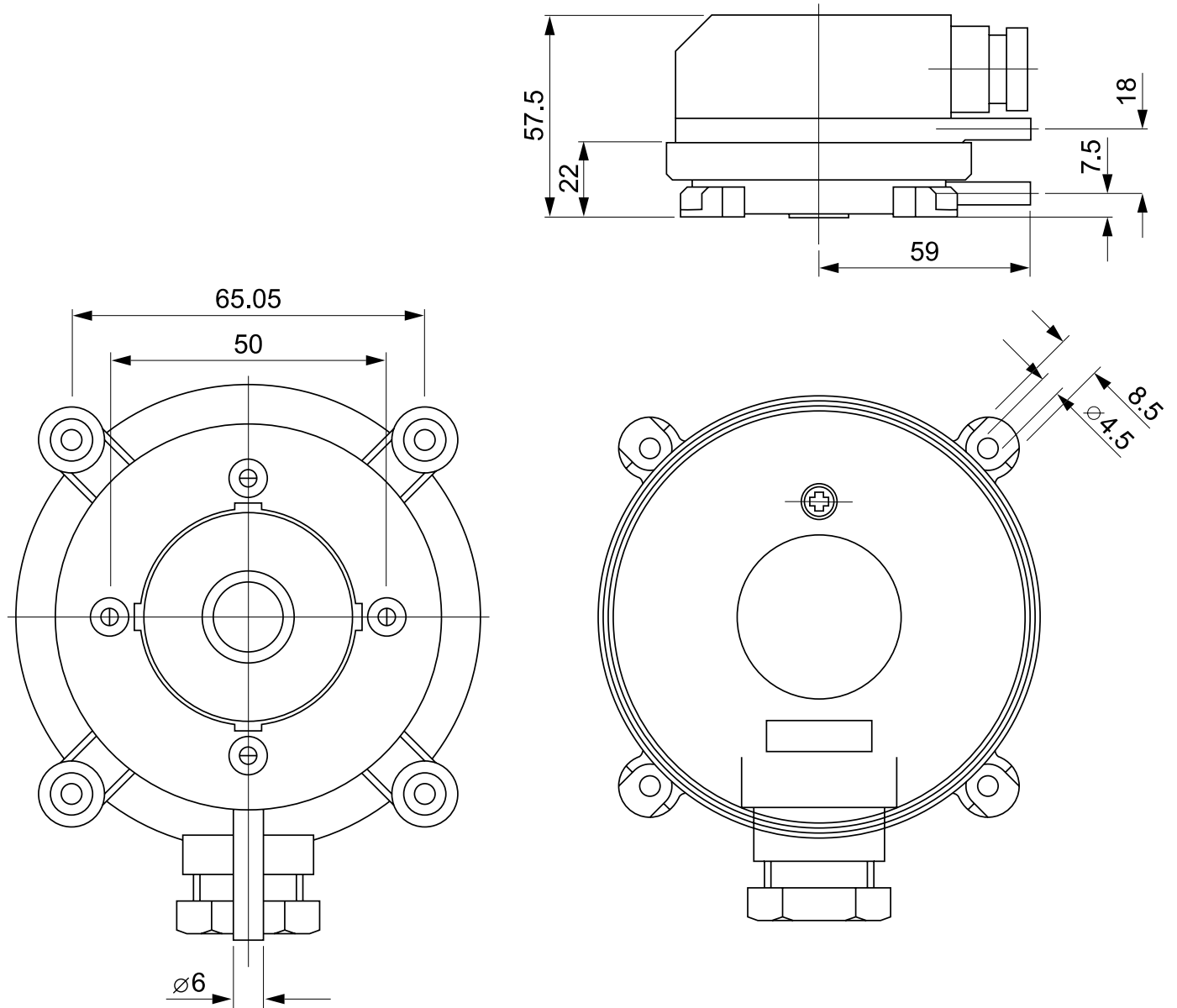
EC House, Amberley Way, Hounslow  
Middlesex, TW4 6BH, United Kingdom

Tel: +44 (0)20 8569 4100 Fax: +44 (0)20 8569 4111

## Dimensions

Not to scale

All measurements in mm



### E.C. Products Limited - Head Office

EC House, Amberley Way, Hounslow  
Middlesex, TW4 6BH, United Kingdom

Tel: +44 (0)20 8569 4100 Fax: +44 (0)20 8569 4111