



Outside Light Sensor Multi-Ranging Lux AHKF-***

Description:

These light intensity sensors measure the light level and are used to control luminaries, lighting systems, Venetian blinds and canvas blinds, etc. They can be used to monitor lighting conditions at workplaces, in greenhouses, storage halls, workshops and corridors, in outdoor areas, in industrial halls, in offices, in residential and business facilities. Applications include daylight-dependent constant light control, as a light intensity or twilight sensor and to control sunshade equipment avoiding unnecessary heating-up of rooms.



Technical Specification:

Power Supply: 24V AC ($\pm 20\%$);
15...36V DC for U variant,
15...36V DC for I variant,
depending on working resistance,
residual ripple stabilised $\pm 0.3V$

Working Resistance:
 R_a (ohm) = $(U_b - 14V) / 0.02A$ for I variant

Load Resistance:
 $R_L > 5k\Omega$ for U variant

Power Consumption:
< 1W at 24V DC; < 2VA at 24V DC

Sensor:
Light sensor with diffuser

Measuring Ranges:
Multi-range switching
(via DIP switches) with 4
switchable measuring ranges
0...500 Lux / 1 kLux / 2 kLux /
5 kLux / 20 kLux / 60kLux

Output:
4...20mA or 0-10V (2- or 3-wire
connection)

Measuring Error:
< 5% of final value

Ambient Temperature:
-30...+70°C

Electrical Connection:
0.14 – 1.5mm², via screw terminals
on circuit board

Enclosure:
Plastic, UV-stabilised, material
polyamide, 30% glass-globe
reinforced, with quick-locking
screws (slotted, Phillips head
combination), colour traffic white
(similar to RAL 9016), enclosure
cover is transparent

Enclosure Dimensions:
72 x 64 x 43.3mm (Tyr 1)

Cable Gland:
M 16 x 1.5, including strain relief,
exchangeable, max. inner diameter
10.4mm

Installation:
On-wall installation.

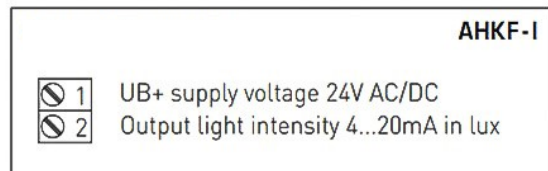
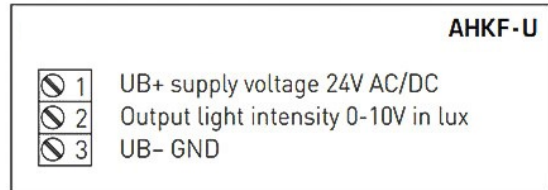
Protection Class:
III (according to EN 60730)

Protection Type:
IP65 (according to EN 60529)

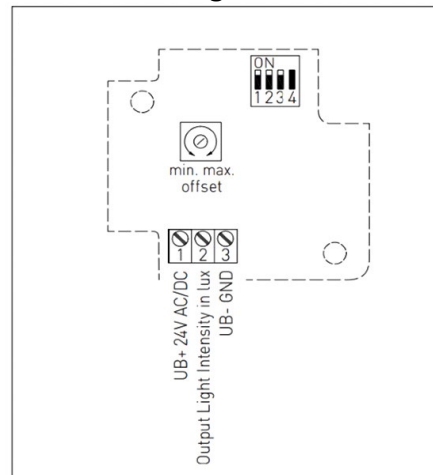
Standards:
CE conformity, electromagnetic
compatibility according to
EN 61326,
EMC Directive 2014 / 30 / EU

Measuring ranges [selectable]	DIP 1	DIP 2	DIP 3	DIP 4
0...500 Lux	OFF	OFF	OFF	–
0... 1 kLux	ON	OFF	OFF	–
0... 2 kLux	OFF	ON	OFF	–
0... 5 kLux	ON	ON	OFF	–
0... 20 kLux	OFF	OFF	ON	–
0... 60 kLux	ON	OFF	ON	–

Connecting Diagrams:



Schematic Diagram:



Order Codes:

AHKF-U Outside Light Sensor
Multi-Ranging Lux 0-10V

AHKF-I Outside Light Sensor
Multi-Ranging Lux 4...20mA

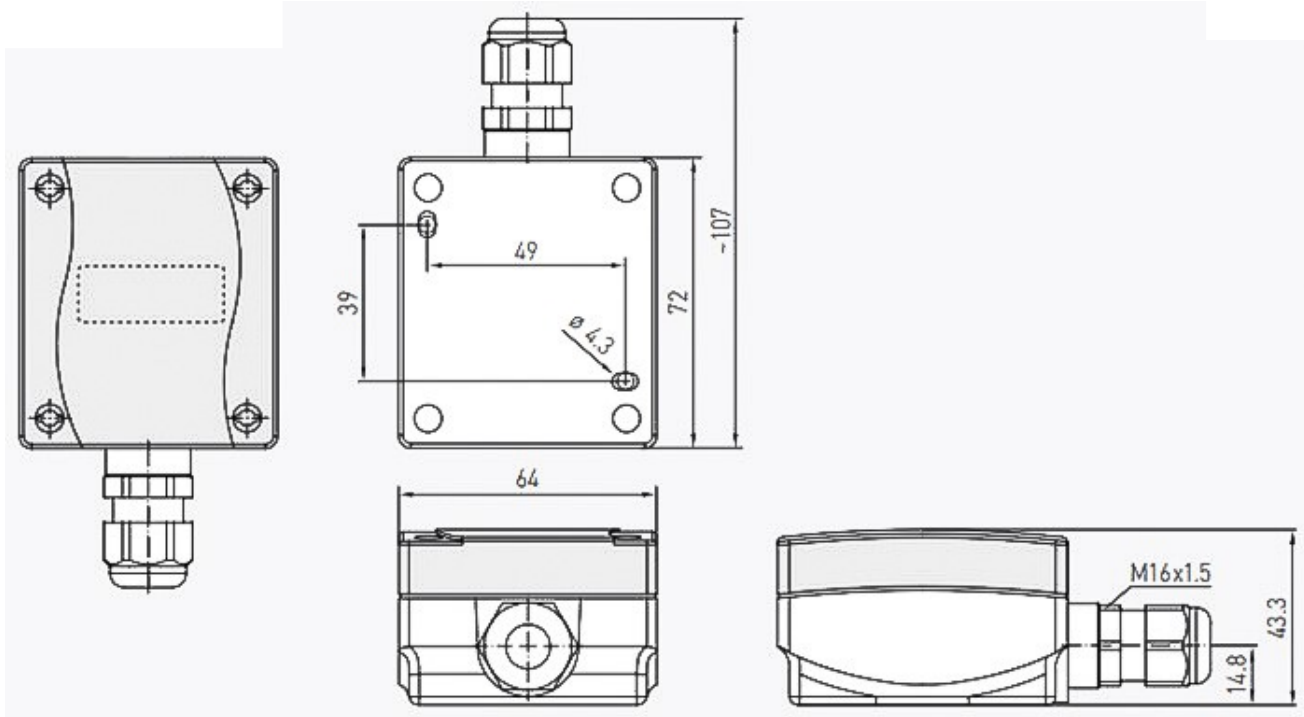
EC Products Limited

EC House, Amberley Way, Hounslow,
Middlesex. TW4 6BH. United Kingdom
Tel:+44 (0)20 8569 4100 Fax: +44 (0)20 8569 4111



Outside Light Sensor Multi-Ranging Lux AHKF-***

Dimensions:



EC Products Limited

EC House, Amberley Way, Hounslow,
Middlesex. TW4 6BH. United Kingdom
Tel:+44 (0)20 8569 4100 Fax: +44 (0)20 8569 4111