



Wall Mount Occupancy Sensor

24 Volt

SPIR-FVF-24

Description:

The SPIR-FVF series of presence detector switches are designed to provide automatic control of lighting, heating or ventilation loads. They detect movement using a PIR sensor and turn the load on. When an area is no longer occupied the load will switch off after an adjustable time out period. When the unit is first powered up the PIR sensor will always detect immediately regardless of whether the room is occupied. A selectable power up delay allows the installer to choose whether the load comes on immediately when the unit is powered up or is kept off for a small time (about 40 seconds) to allow the sensor to settle.

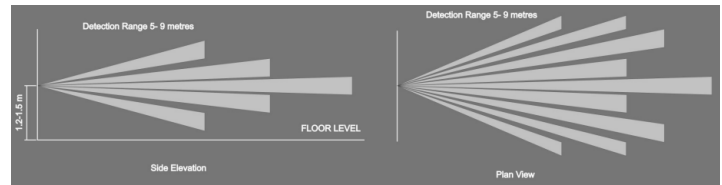


Technical Specification:



Supply Voltage:	24 Volts AC 50 Hz
Time Out Period:	Adjustable 10 seconds to 60 minutes in two ranges
Light Level:	Optional adjustment by thumbwheel light to dark.
Fixing Method:	Surface fixing 25mm deep plastic surface mount moulded box. Flush fixing 25mm steel wall box or 32mm deep cavity wall box.
Terminal Capacity:	1.5mm ²
Material:	Flame retardant ABS
Type:	Class 2
Temperature:	-10°C to 35°C
Conformity:	EMC-89/336/EEC LVD-73/23/EEC
Load...	10 Amp resistive load 10 Amp incandescent lighting 6 Amp fluorescent lighting 3 Amp compact fluorescent lighting 3 Amp low energy lighting 3 Amp low voltage lighting (switch primary of transformer) Fluorescent lighting (max 6 fittings recommended) For fluorescent lighting total power factor correction capacitance must not exceed 40µF. 3 Amp fans and ventilation equipment Switch SON lighting loads via a contactor

Detection Pattern:



Connecting Diagrams:

Warning. This device works at mains potential. Be sure to take care when working with electricity.

1. Make sure the load is connected and in working order.
2. Isolate the mains supply to the circuit at the main consumer unit.
3. Connect the controller via the terminal block.
4. Set the time to minimum (fully anticlockwise) and set both switches to ON (0-1/2 hour range, no power up delay) according to the chart below.



Fault Finding:

Load does not come on:

Check to see if the live supply to the circuit is good. Ensure there is power connected to the COM terminal.

Lights do not go off:

Ensure that the area is left unoccupied for a greater time period than the time out period set using the switch. Make sure that the sensor is not adjacent to circulating air, heaters or lamps.

Order Codes:

SPIR-FVF-24	Wall Mount Occupancy Sensor - 24 Volt
--------------------	---------------------------------------

5. Screw the unit to the wall and switch the mains supply back on at the distribution board.
6. The load should come on immediately.
7. Vacate the room or remain very still and wait for the load to switch off (should take no more than 2 minutes).
8. Check that the load switches on when movement is detected.
9. Select the time out range using the switch 1 according to the chart above. Set the time out period using the thumbwheel, fully clockwise is the maximum (either 1/2 hour or 1 hour depending on the range).
10. If required, select the power up delay (to prevent the load coming on immediately on power up).

EC Products Limited

EC House, Amberley Way, Hounslow,
Middlesex. TW4 6BH. United Kingdom
Tel:+44 (0)20 8569 4100 Fax: +44 (0)20 8569 4111



Wall Mount Occupancy Sensor

24 Volt

SPIR-FVF-24

Wiring:

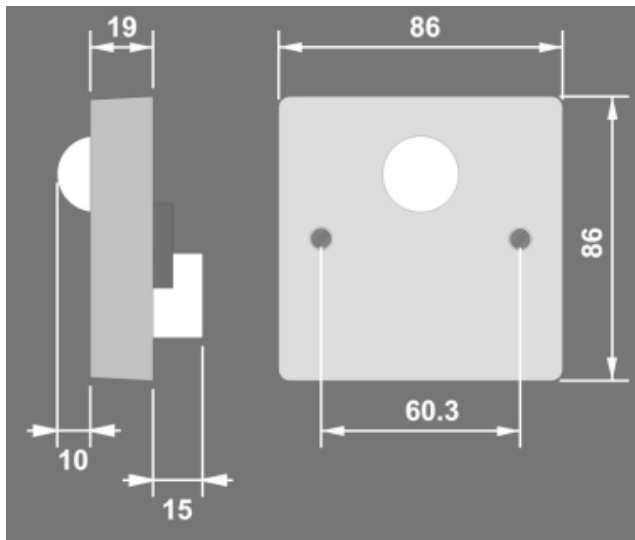
Wire the SPIR-FVF products as in the diagram.

The SPIR-FVF comes with a voltage free output contact with the following connections: common (COM); normally open (NO) and normally closed (NC).

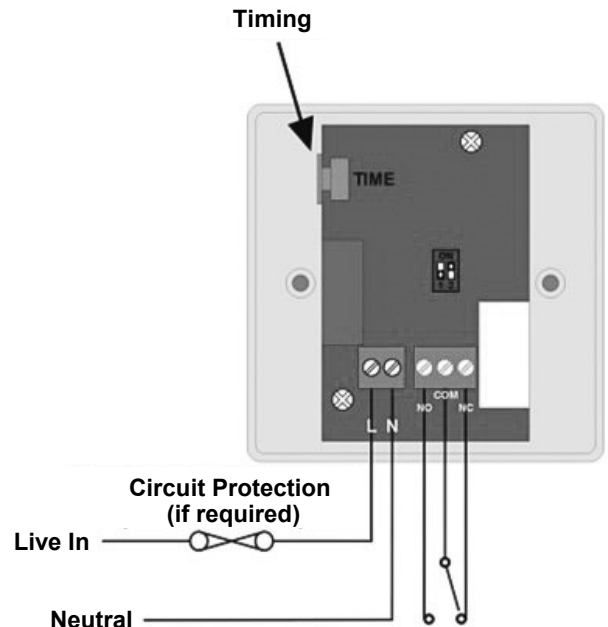
The detector should be sited so that the occupants of the room fall inside the detection pattern shown overleaf, at a recommended height of 1.2m to 1.5m for wall sensors. Note that the higher the sensor is installed the shorter the detection range will be.

- Avoid direct sunlight entering the sensor.
- Do not site within 1m of forced air heating or ventilation.
- Do not site within 1m of any lighting.
- Do not fix to a vibrating surface.

Dimensions (mm):



Detection Pattern:



IMPORTANT!

This device should be installed by a qualified electrician in accordance with the latest edition of the IEE wiring regulations.

EC Products Limited

EC House, Amberley Way, Hounslow,
Middlesex. TW4 6BH. United Kingdom
Tel:+44 (0)20 8569 4100 Fax: +44 (0)20 8569 4111