



Immersion Pockets TE-ISP

Description

This range of immersion sensor pockets are designed to be screwed directly into pipework to provide a dry environment for our immersion temperature sensors. Pockets are manufactured from 316 stainless steel suitable for high temperature and pressure installations (including steam) and are also recommended for chilled water and other low temperature applications.

Features

- 1/2" BSPT threaded connection.
- Available in different lengths.
- Suitable for EC Products range of immersion sensors.
- Up to 100mm machined from solid bar.

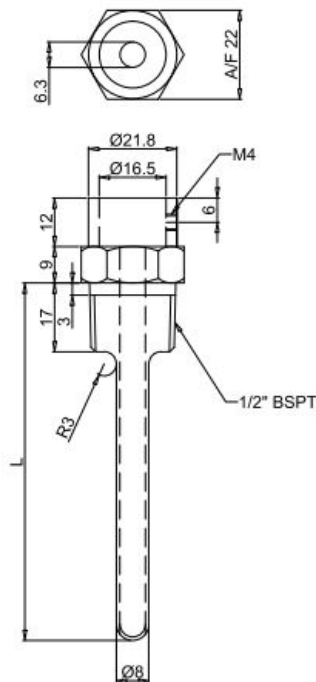


Technical Specification

Material: 316 Stainless Steel
Max System Pressure: 16 bar
Operating Temperature: -20°C to +400°C

Installation

The pockets should be installed by a suitably qualified technician only. The pocket should be installed in a female 1/2" BSP fitting so the tip of the probe is situated in the centre of the pipe where temperature is to be measured. A common method of installation is to locate the pocket on a 90° bend so the probe is facing the direction of flow. The 1/2" BSPT thread must be sealed using a suitable thread sealant. The sensor must be removed from the pocket during installation to avoid damage to the sensor.



Dimensions

Part Number	L
TE-ISP/50	50mm
TE-ISP/65	65mm
TE-ISP/75	75mm
TE-ISP/100	100mm
TE-ISP	125mm
TE-ISP200	200mm
TE-ISP/250	250mm
TE-ISP/300	300mm
TE-ISP/350	350mm
TE-ISP/400	400mm

Other lengths available up to 2000mm to order

EC Products Limited

EC House, Amberley Way, Hounslow,
 Middlesex. TW4 6BH. United Kingdom
 Tel: +44 (0)20 8569 4100 Fax: +44 (0)20 8569 4111