

TC

Capillary thermostats, IP54

Serie of capillary thermostats IP54 for use in cooling, heating and ventilation systems.

- Wide setpoint range
- Fixed hysteresis
- Protection class IP54
- Breaking capacity NC 16(4)A, 250 V AC
NO10(6)A V AC

Function

TC electro-mechanical thermostats are constructed around a fluid-filled capillary bulb, PVC-coated, and a housing containing the sensor that transmits temperature changes to a micro-switch with switching contacts with a maximum NC 16(4)A, 250 V AC - NO10(6) A V AC.

MAIN OFFICE BRESSANONE

I-39042 Bressanone (BZ)
via Julius-Durst-Str. 70
VAT No. IT02748450216

tel: +39 0472 830626
fax: +39 0472 831840
www.industrietechnik.it

DBET

- 1 -

Technical data

Sensor element	Liquid-filled coiled copper bulb with capillary PVC coated
Bulb	Ø 6,8
Capillary length	1,5 m
Contacts	Dust-tight microswitches with SPDT contacts (heat/cool)
Breaking capacity	NC 16 (4) A 250 V AC / NO 10 (6) A 250 V AC
Ambient temperature	-10...+65 °C
Ambient humidity	10...90 % RH (non-condensing)
Storage temperature	-40...+70 °C
Storage humidity	< 95 % RH
Weight	360 g
Protection class	IP54
Isolation class	I

Material

Casing	Base in Bayblend®, cover in ABS
---------------	---------------------------------

Models and accessories

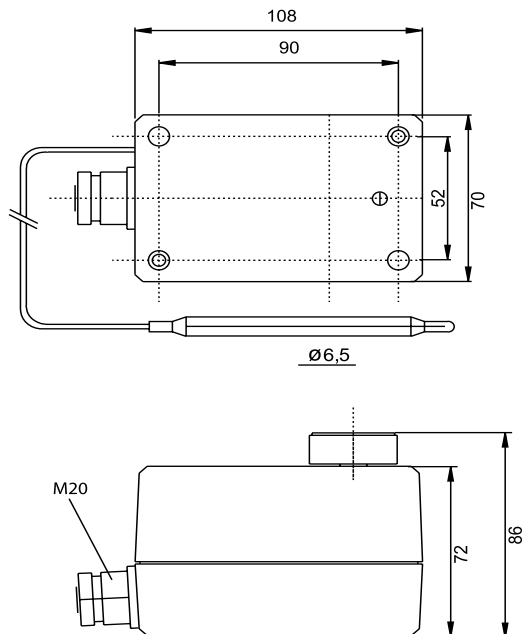
Article	Temperature range	Hysteresis	Max. bulb temperature
TC060	0...60 °C	4±1 K	130 °C
TC090	0...90 °C	4±1 K	130 °C
	Description		
DBZ-30/14	Brass pocket 120mm, Øexternal 8 mm, Øinternal 7 mm, connection R 1/2"		
DBZ-31/14	Stainless steel pocket AISI 304 120mm, Øexternal 9 mm, Øinternal 7 mm, connection R 1/2"		

CE

Low Voltage Directive (LVD): This product conforms to the requirements of the European Low Voltage Directive (LVD) 2014/35/EU through product standards EN 60335-1.

RoHS: This product conforms to the Directive 2011/65/EU of the European Parliament and of the Council through standard EN 50581:2012.

Dimensions



Measurements in mm

MAIN OFFICE BRESSANONE

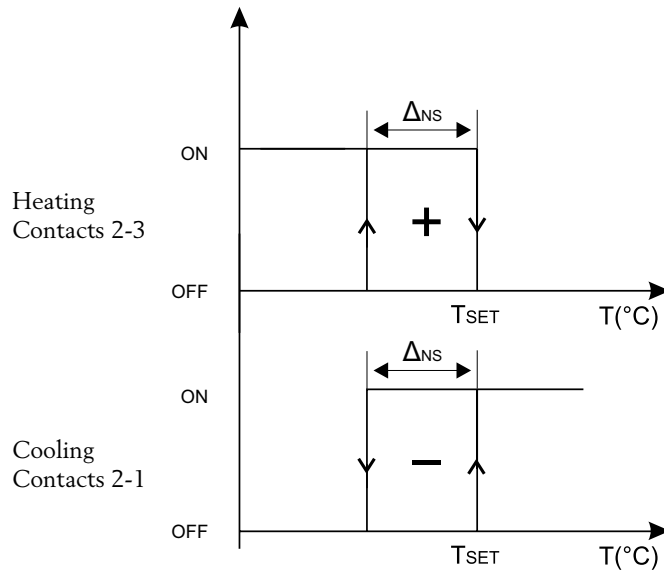
I-39042 Bressanone (BZ)
via Julius-Durst-Str. 70
VAT No. IT02748450216

tel: +39 0472 830626
fax: +39 0472 831840
www.industrietechnik.it

DBET

- 2 -

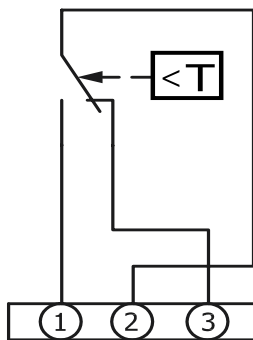
Logic activation



Wiring

Heating: Connect to terminal 2 and terminal 3. The contact opens when the temperature rises.

Cooling: Connect to terminal 2 and terminal 1. The contact opens when the temperature drops.



Documentation

Document	Description
Instruction DBET_inst_it_en	Instructions for installation

The product documentation can be downloaded from www.industrietechnik.it

MAIN OFFICE BRESSANONE

I-39042 Bressanone (BZ)
via Julius-Durst-Str. 70
VAT No. IT02748450216

tel: +39 0472 830626
fax: +39 0472 831840
www.industrietechnik.it

DBET

- 3 -