



## 3 Port Rotary Valves VR-F\*\*

### Description:

VR-F 3-way valves with flange connection PN6, suitable for mixing or diverting operation up to 6 bar. The valves are made of high-performing cast iron allowing use in heating and cooling installations. The VR-F series are available in DN20-150 and comes with a PN6 flange to suit PN6 flange pipe dimensions.



### Features:

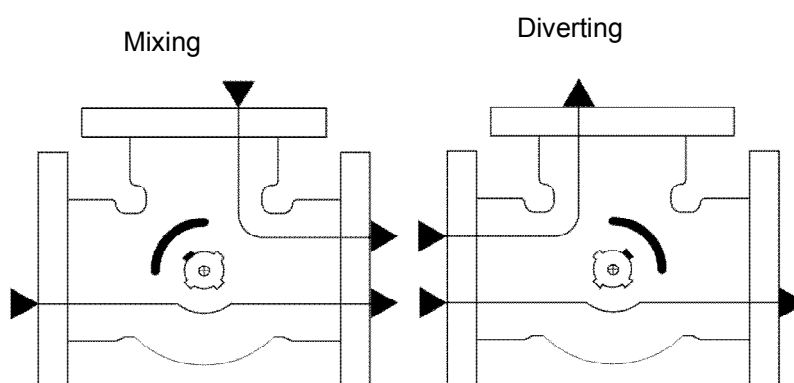
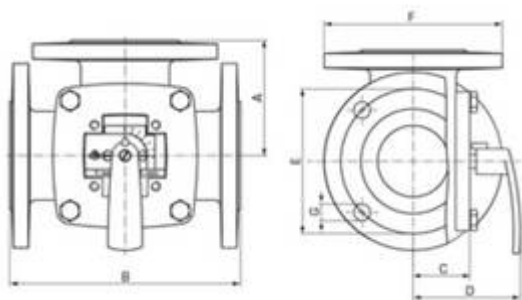
- Superb regulation for mixing or diverting.
- Wide range of sizes up to DN150
- Compact, flexible and easy to install.
- Long lasting and high durability.

### Technical Specification:

|                                     |  |
|-------------------------------------|--|
| <b>Pressure Class:</b>              | PN6  |
| <b>Differential Pressure drop:</b>  | DN65-150, max 30kPa  |
| <b>Connections:</b>                 | Flange acc. To EN 1092-2   |
| <b>Media temperature:</b>           | max. +110 °C min.: -10 °C  |
| <b>Leak rate in % of flow, max:</b> | 1.5%   |
| <b>Rangeability Kv/Kv min:</b>      | 100  |
| <b>Material:</b>                    | Valve body: Cast iron, EN-JL 1030<br>Slide DN 65-150: Brass, CW 614N and Stainless steel<br>Bushing DN 65-150: Brass DZR, CW 602N<br>Cover plate DN 65-150: Cast iron<br>O-rings: EPDM |

### Dimensions:

| Part No. | DN  | Kvs* | A mm | B mm | C mm | D mm | E mm | F mm | G mm  | Wgt kg |
|----------|-----|------|------|------|------|------|------|------|-------|--------|
| VR-F65   | 65  | 90   | 100  | 200  | 52   | 95   | 130  | 160  | 4x 15 | 10     |
| VR-F80   | 80  | 150  | 120  | 240  | 63   | 106  | 150  | 190  | 4x 18 | 16.2   |
| VR-F100  | 100 | 225  | 132  | 265  | 73   | 116  | 170  | 210  | 4x 18 | 21     |
| VR-F125  | 125 | 280  | 150  | 300  | 80   | 123  | 200  | 240  | 8x 18 | 27     |
| VR-F150  | 150 | 400  | 175  | 350  | 88   | 130  | 225  | 265  | 8x 18 | 37     |



### Order Codes:

|         |  |
|---------|--|
| VR-F65  | 65mm 3 port screwed rotary shoe valve  |
| VR-F80  | 80mm 3 port screwed rotary shoe valve  |
| VR-F100 | 100mm 3 port screwed rotary shoe valve |
| VR-F125 | 125mm 3 port screwed rotary shoe valve |
| VR-F150 | 150mm 3 port screwed rotary shoe valve |

The flat-sided spindle top points towards the sleeve position

### EC Products Limited

EC House, Amberley Way, Hounslow,  
Middlesex. TW4 6BH. United Kingdom  
Tel:+44 (0)20 8569 4100 Fax: +44 (0)20 8569 4111