



22mm Twin Colour Panel Indicators AD56TW

Description

A range of 22mm indicator lamps used in electrical circuits in a variety of voltages. They are primarily used for indication and alarm signals and conform to IEC60947-5-1. The AD56TW utilize LEDs for long life and very low energy consumption and have twin colours.

Features

- Twin Colour
- Choice of voltages
- LED for long life



Technical Specification

Operating Temperature:	-5...+40°
Operating Humidity:	45...85% RH
Pollution Degree:	3
Installation Degree:	III
Degree of Protection:	IP65
Rated Operating Current:	≤ 80mA
Electrical Life:	≥30000 hours
Brightness:	≥60
Rated Operating Voltage:	See Order Codes
Base Colour:	See Order Codes

Order Codes

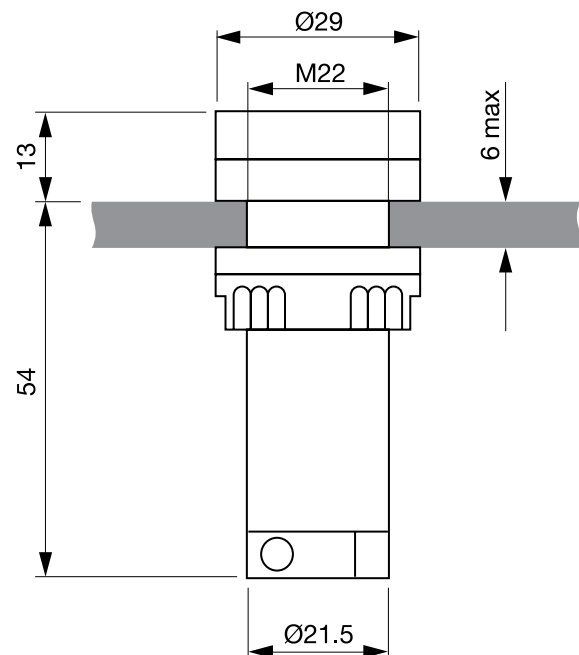
AD56TW-RG24	22mm panel indicator colour red/green 24Vac/dc
AD56TW-RG110	22mm panel indicator colour red/green 110Vac
AD56TW-RG220	22mm panel indicator colour red/green 230Vac

Accessories

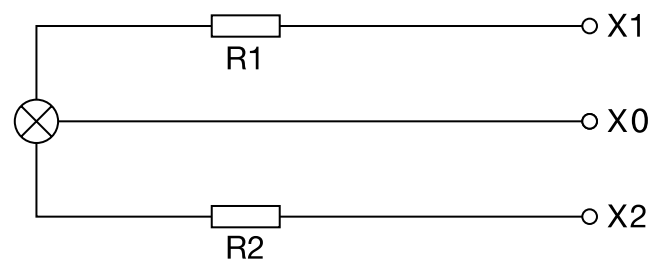
AD56SPAN	Spanner for tightening locknuts
----------	---------------------------------



Dimensions



Circuits



Note: When connection is made between X1 and X0 the lamp will give out a green light. When the connection is made between X2 and X0 the lamp will give out a red light. If connection is made to both then a combination of red and green will show.

E.C. Products Limited - Head Office

EC House, Amberley Way, Hounslow
Middlesex, TW4 6BH, United Kingdom

Tel: +44 (0)20 8569 4100 Fax: +44 (0)20 8569 4111