

## Description

The AV-FP range of economical air flow sensors sense differential (velocity) pressure of VAV units and other locations in main or branch ducts. Four different lengths allow selection of the sensor to yield accurate readings on terminal unit inlet diameters from 100mm to 500mm.

The sensor operates by measuring the velocity pressure using a differential pressure transmitter such as the PA-LP.

## Features

- Economical air flow sensors
- Integral flange and gasket
- Choice of four different lengths
- Connections for ¼" tubing
- Ideal for VAV units



## Technical Specification

<b>Mounting:</b>	Integral flange with gasket
<b>Connections:</b>	¼" nipples for ¾" OD polyethylene tubing
<b>Weight:</b>	31g
<b>Ambient:</b>	0°C to 50°C

## Order Codes

<b>AV-FP1002</b>	80mm air flow probe
<b>AV-FP1003</b>	140mm air flow probe
<b>AV-FP1004</b>	195mm air flow probe
<b>AV-FP1005</b>	250mm air flow probe

## Dimensions

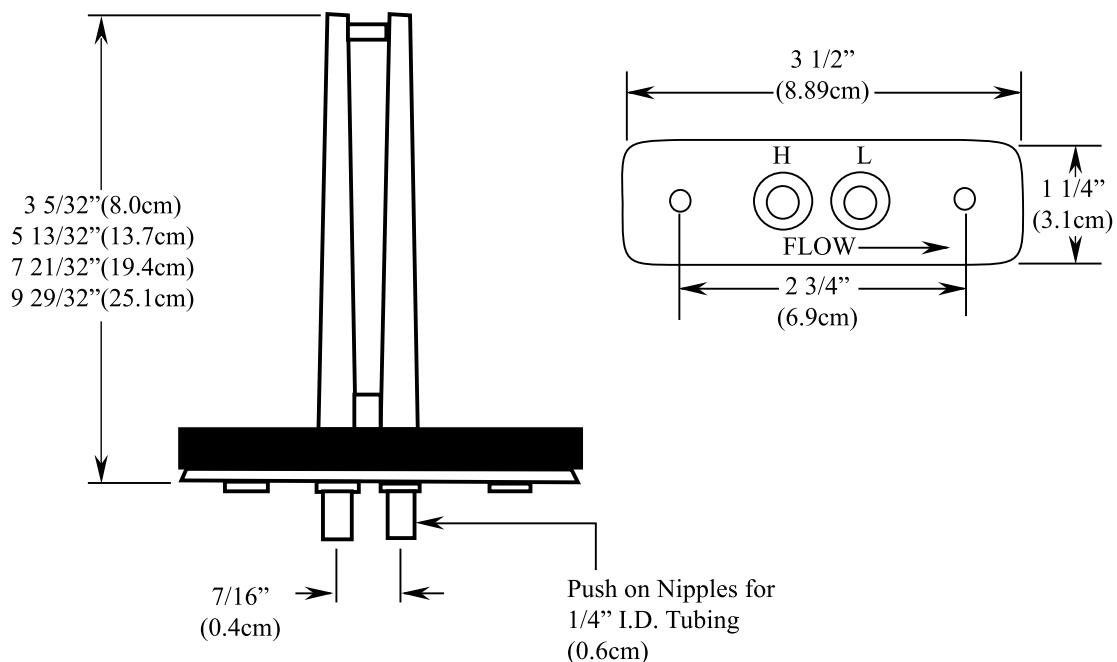
Part Number	Dimension A	Sensing points
AV-FP1002	80mm	1 set
AV-FP1003	140mm	2 sets
AV-FP1004	195mm	3 sets
AV-FP1005	250mm	4 sets

## Installation

The AV-FP probe requires a 7/8" diameter cut-out for the insertion portion and two pilot holes for the self-tapping screws to hold the flange against the ductwork.

Sensors should be installed as level as possible to ensure accurate velocity pressure readings.

When connecting tubing, care should be taken to assure that sharp bends are not made at the sensor connection. This can cause leakage as tubing ages and stretches.



### E.C. Products Limited - Head Office

EC House, Amberley Way, Hounslow  
Middlesex, TW4 6BH, United Kingdom

Tel: +44 (0)20 8569 4100 Fax: +44 (0)20 8569 4111