

## Description

A range of enclosures suitable for housing circuit breakers available as flush or wall mounting and supplied complete with DIN rail and earth connecting strips

## Features

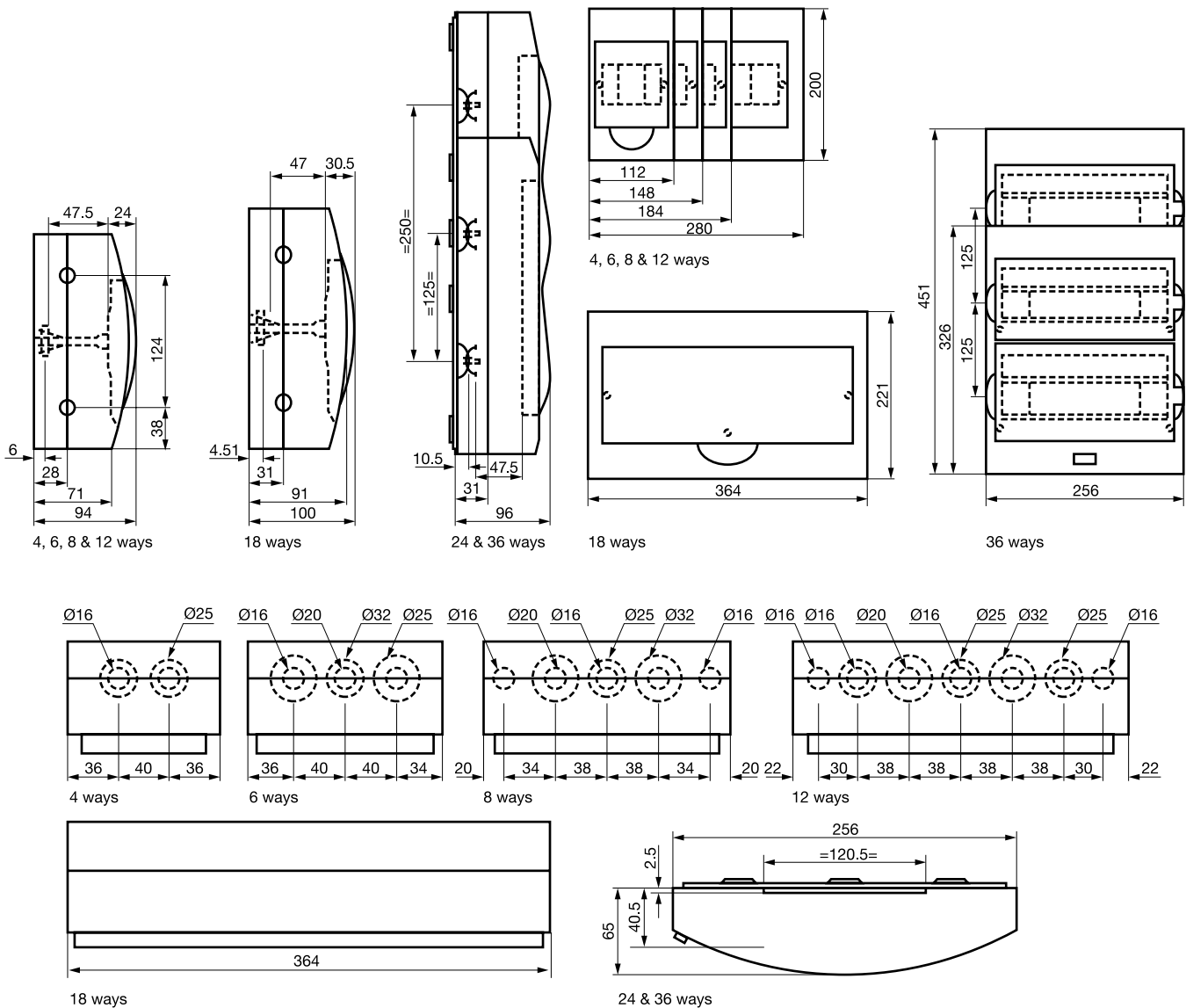
- Up to 36 ways
- Flush or wall mounted



## Order Codes

Flush	Wall	
CA-XSA-4F	CA-XSA-4W	Distribution Enclosure Flush or Wall Mount 4 way
CA-XSA-6F	CA-XSA-6W	Distribution Enclosure Flush or Wall Mount 6 way
CA-XSA-8F	CA-XSA-8W	Distribution Enclosure Flush or Wall Mount 8 way
CA-XSA-12F	CA-XSA-12W	Distribution Enclosure Flush or Wall Mount 12 way
CA-XSA-18F	CA-XSA-18W	Distribution Enclosure Flush or Wall Mount 18 way
CA-XSA-24F	CA-XSA-24W	Distribution Enclosure Flush or Wall Mount 24 way
CA-XSA-36F	CA-XSA-36W	Distribution Enclosure Flush or Wall Mount 36 way

## Dimensions – Wall Mount



### E.C. Products Limited - Head Office

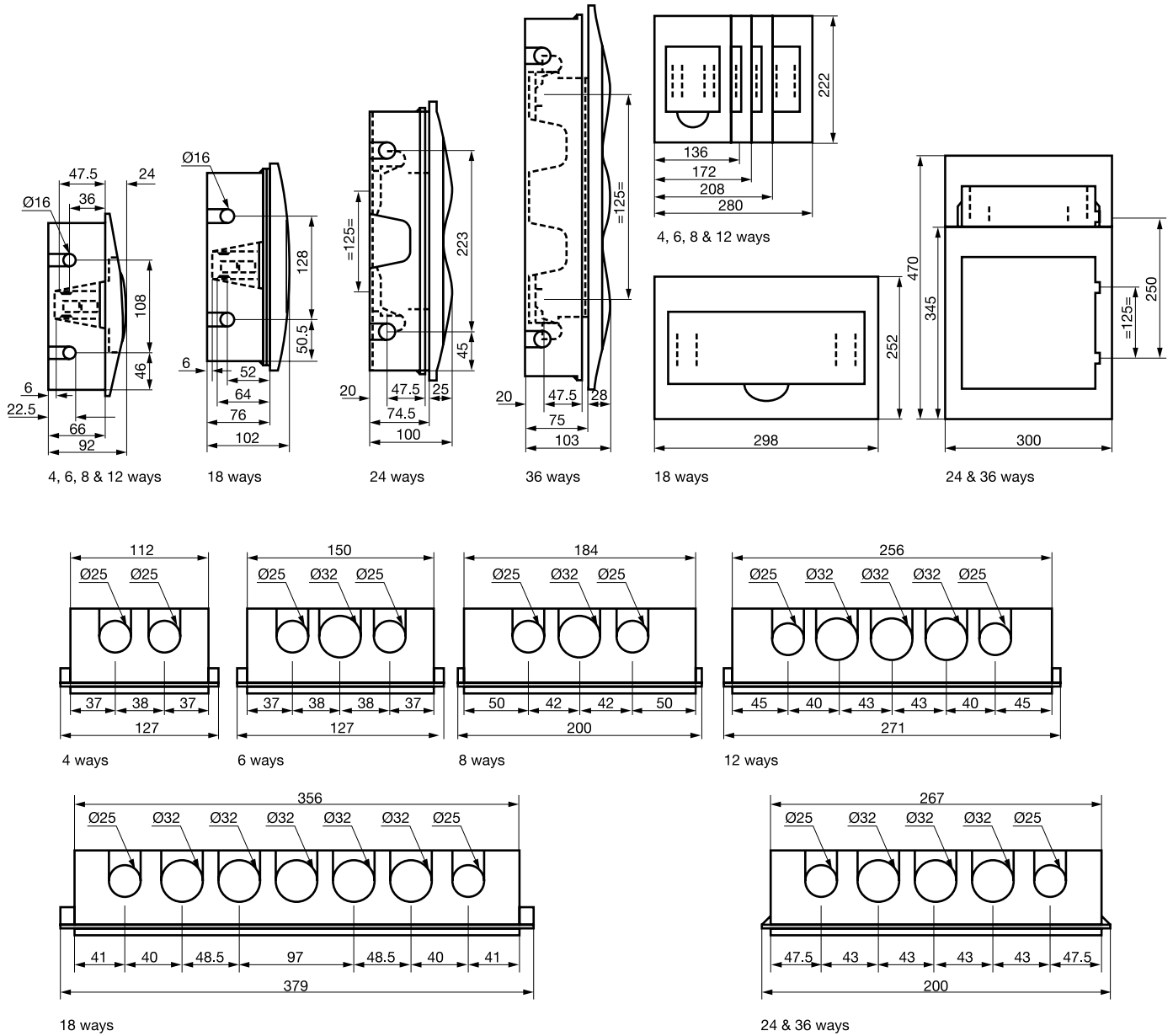
EC House, Amberley Way, Hounslow  
Middlesex, TW4 6BH, United Kingdom

Tel: +44 (0)20 8569 4100 Fax: +44 (0)20 8569 4111



# Distribution Enclosures CA-XSA

## Dimensions - Flush Mount



**E.C. Products Limited - Head Office**

EC House, Amberley Way, Hounslow  
Middlesex, TW4 6BH, United Kingdom

Tel: +44 (0)20 8569 4100 Fax: +44 (0)20 8569 4111