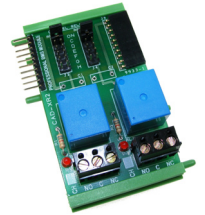


Description

The CAD-XR2 is a DIN rail mountable two relay expansion module for use with CAD-2DS electronic thermostat to provide up to eight user programmable switching relays.

Features

- 2 x volt free relay changeover outputs
- Individual channel selection for each relay
- Use with CAD-2DS to expand outputs
- DIN rail mountable, small footprint



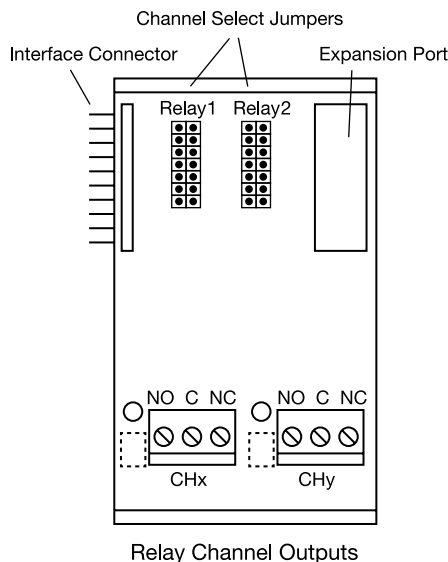
Technical Specification

Input Supply: Provided by CAD-2DS 30mA max.
Output Signal: 2 x C/O relay contact 10(5)A @ 240Vac
Mounting: DIN rail carrier 45 x 82 x 43 mm
Terminals: Rising clamp suitable for 0.5-2.5mm²
Ambient: -20°C to +50°C

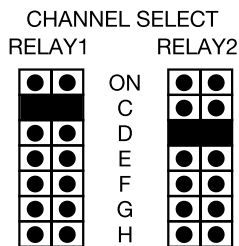
Order Code

CAD-XR2 2 relay expansion module

Connection/Setup



Relay Channel Outputs



Channel Select Jumpers

Install the jumpers to activate the relay of the desired channel.

*Indicated factory default setting on C and D as supplied

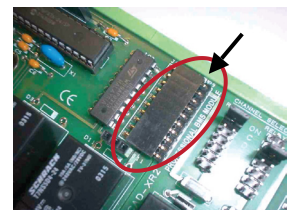
Relay1 jumpers configure the left-hand relay

Relay2 jumpers configure the right-hand relay

Note: Setting multiple relays on the same channel is not advised beyond two relays. No more than eight relays in total per system

Installation

1. Remove and set aside the end DIN rail module section from the host unit. It will be needed later
2. Slide on and fully click home the supplied baseplate extension
3. Slide the extension module, onto the extended baseplate, taking care to ensure that the modules **Interface Connector Pins** mate with the **Expansion Port Connector**. Press home for a good fit.
4. Re-attach the previously set aside end DIN rail module. Slide on, click home and ensure the entire module is clipped together securely



For clarity of instruction and photography, this host systems LCD module has been removed. Your removal of this module is unnecessary and will void warranty.

E.C. Products Limited - Head Office

EC House, Amberley Way, Hounslow
 Middlesex, TW4 6BH, United Kingdom

Tel: +44 (0)20 8569 4100 Fax: +44 (0)20 8569 4111