

Description

Relative duct humidity control in air conditioning systems with set point adjustment by knob and control of 1stage humidifiers and dehumidifiers. Well-suited in domestic, commercial and industrial areas for the large variety of applications in the air conditioning field.

Features

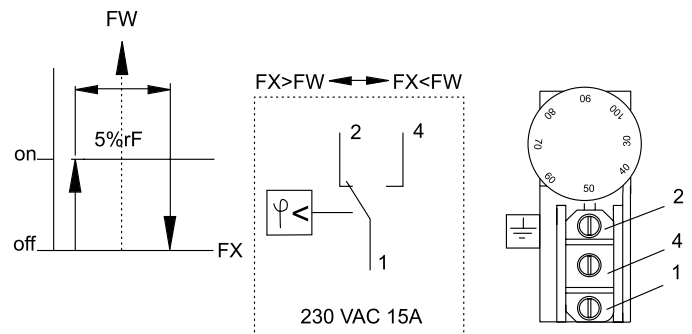
- Exposed or Concealed Setpoint adjustment
- Suitable for swimming pool applications



Technical Specification

Sensitive elem.:	Several synthetic fabric bands
Contacts:	SPDT contacts
Switch capacity:	15 (8) A, 24...250 Vac
Differentials:	5%
Working temp.:	-10...+65 °C
Storage:	-20...+70 °C
Temp. coeff.:	-0.2% r.h./K at 20 °C
Max air velocity:	8 m/s
Housing:	ABS
Size:	108 x 70 x 72 mm
Tube:	Nickel-plated brass perforated, 220 mm
Protection:	IP65

Wiring



The contacts 1 - 2 close and 1 - 4 open when the relative air humidity drops below the set point (see figure).

Order Codes

DBKH-10	Duct Humidistat
DBKH-10U	Duct Humidistat, concealed setpoint

Installation

Select a location in the duct where dust & contaminants are at a minimum (i.e. after filters etc.) and which will give a representative sample of the prevailing air condition.

If the sensor is to be mounted outside, it is recommended that the unit be mounted with the cable entry at the bottom.

Remove the front cover, and separate from the main body.

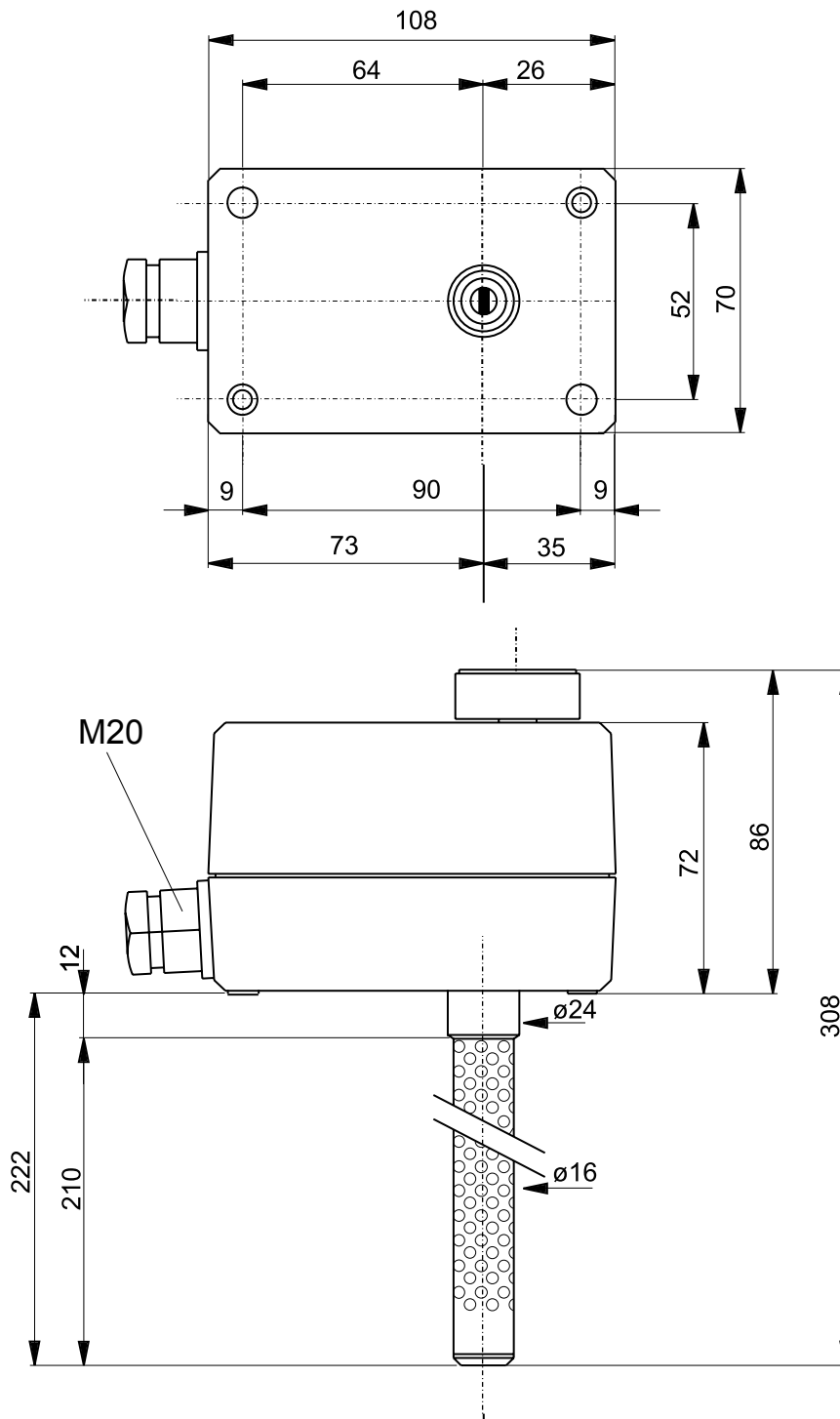
Feed the cable through the waterproof gland and terminate the cores at the terminal block. Leaving some slack inside the unit, tighten the cable gland onto the cable to ensure watertightness.

Replace the lid after the electrical connections have been made.

Warning

The hygrostats must not come into direct contact with water and should be exposed to the air flow.

Not suitable in aggressive media.

Dimensions**E.C. Products Limited - Head Office**EC House, Amberley Way, Hounslow
Middlesex, TW4 6BH, United Kingdom

Tel: +44 (0)20 8569 4100 Fax: +44 (0)20 8569 4111