



# Digital Set Point DS10

## Description:

The DS10 is an electronic set point giving LED indication for position and a 2-10V output, it is also available with 0-10V output for room temperature, available on a standard range of single gang plates but can also be fitted to a customer specific plate. Remote sensor option also available.

## Features:

- Clear LED indication
- Variety of finishes
- Fits to a Standard Back box
- Option for Remote Sensor
- Option for Coloured display, see DS10D

## Technical Specification:

**Temperature range:** 15°C to +35°C

**Temperature Output:** 0-10Vdc

**Set point output:** 2-10Vdc in 1V steps

**Supply:** 24Vac/dc 50mA max

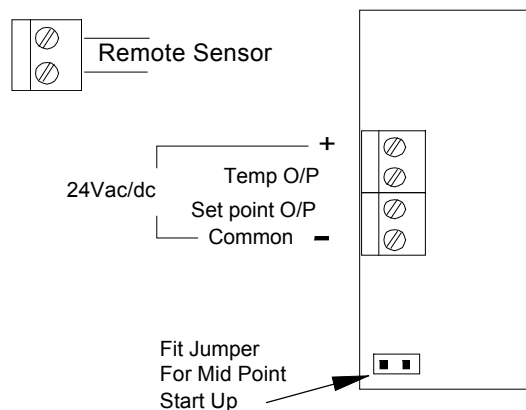
**Dimensions:** 86H x 86W

**Depth Behind Plate:** 30mm

**Temperature sensor:** 10K3A1

## Installation:

1. Disconnect power before carrying out any work on the DS10
2. Maximum Wire size 2.5mm<sup>2</sup> take care not to over tighten the terminal screws.
3. Follow the wiring diagram below. Power supply must be 24Vac/dc



## Order Codes:

<b>DS10-SS</b>	Digital Set Point Grained Stainless Remote Sensor
<b>DS10-SS-T</b>	Digital Set Point with Temperature Grained Stainless
<b>DS10-PS</b>	Digital Set Point Polished Stainless Remote Sensor
<b>DS10-PS-T</b>	Digital Set Point with Temperature Polished Stainless
<b>DS10-PB</b>	Digital Set Point Polished Brass Remote Sensor
<b>DS10-PB-T</b>	Digital Set Point with Temperature Polished Brass
<b>DS10-SB</b>	Digital Set Point Satin Brass Remote Sensor
<b>DS10-SB-T</b>	Digital Set Point with Temperature Satin Brass
<b>DS10-WP</b>	Digital Set Point White Plastic Remote Sensor
<b>DS10-WP-T</b>	Digital Set Point with Temperature White Plastic

## Set up:

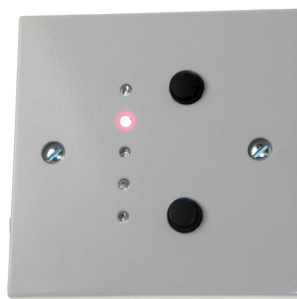
Connect Supply as shown, connect sensor if using remote sensor option, for mid point start up fit 2 way jumper.

When the power is first applied either bottom Blue LED will show or Green LED mid point will show if jumper fitted.

Each press of the up or down button will increase or decrease set point output by 1 Volt, holding the button pressed the out put will continue to increase or decrease strolling the LED's

In the event of the set point being set to highest and the room temperature rising to above 35°C the top red LED will flash and the set point output will go to 2 Volts until the room temperature drops to below 35°C

If you are using the remote set point version and no sensor is connected a 10K resistor should be fitted across the sensor terminals.



## EC Products Limited

EC House, Amberley Way, Hounslow,  
Middlesex. TW4 6BH. United Kingdom  
Tel:+44 (0)20 8569 4100 Fax: +44 (0)20 8569 4111