

## Description

A range of miniature circuit breakers suitable 230/400Vac, 50/60Hz rated circuits up to 63 amps. They provide protection against overload and short circuits in electrical circuits and equipment in household and commercial applications. They can also be used for non-frequent changeover of electrical circuits.

## Features

- Protection against overload and short circuit
- Contact position indication
- DIN rail mounted



## Technical Specification

<b>No. of Poles:</b>	1P, 2P or 3P
<b>Rated Voltage:</b>	230/400Vac
<b>Rated Current:</b>	1, 2, 4, 6, 10, 12, 16, 20, 25, 32, 40, 50, 63 amps
<b>Tripping Curve:</b>	B, C or D
<b>Rated Short Circuit Capacity:</b>	6kA
<b>Rated Frequency:</b>	50/60Hz
<b>Energy Limiting Class:</b>	3
<b>Rated Impulse Voltage withstand:</b>	6.2kV
<b>Electro-Mechanical Endurance:</b>	4000 cycles
<b>Connection Terminal:</b>	Pillar Terminal with clamp
<b>Connection Capacity:</b>	Rigid conductor up to 25mm <sup>2</sup>
<b>Mounting:</b>	DIN rail

## Circuit Details

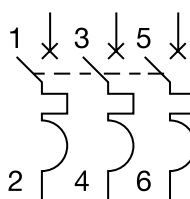
1 Pole:



2 Pole:



3 Pole:



## Order Codes

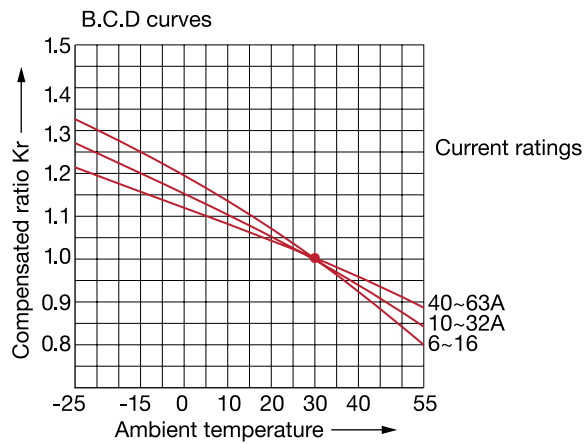
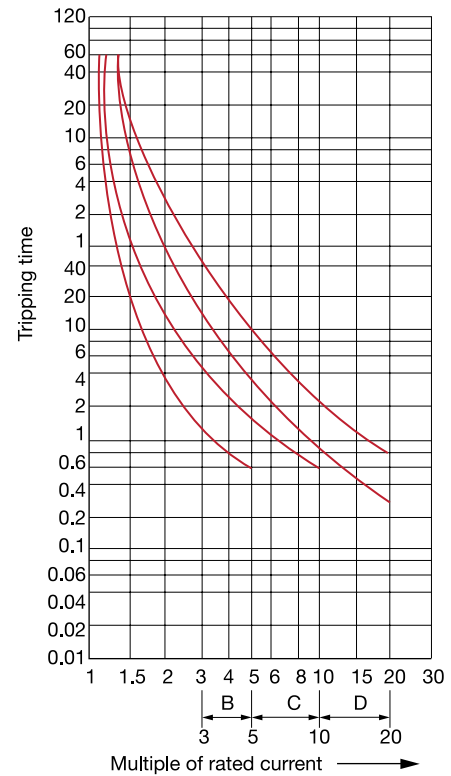
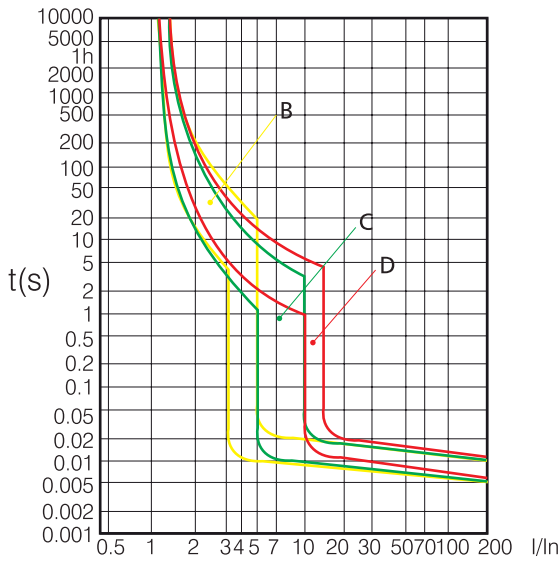
Curve B	Curve C	Curve D	
DZ47-63/1PxB	DZ47-63/1PxC	DZ47-63/1PxD	Single pole Miniature Circuit Breaker x= current rating see above
-	DZ47-63/2PxC	-	Two pole Miniature Circuit Breaker x= current rating see above
-	DZ47-63/3PxC	DZ47-63/3PxD	Three pole Miniature Circuit Breaker x= current rating see above

### E.C. Products Limited - Head Office

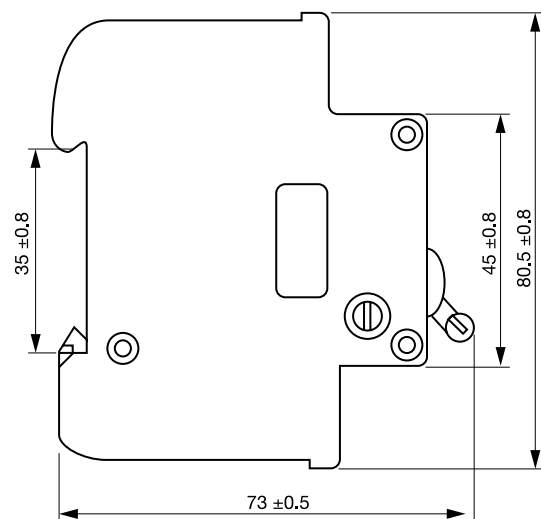
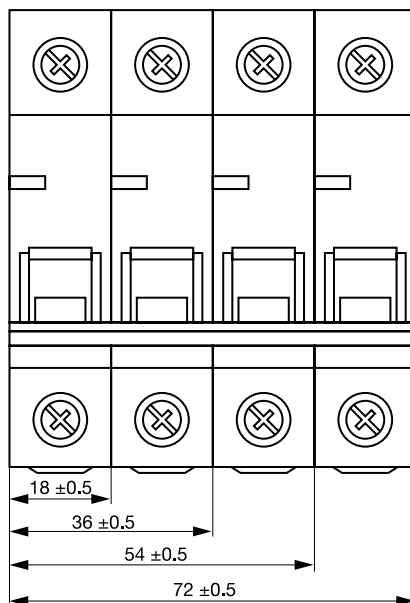
EC House, Amberley Way, Hounslow  
Middlesex, TW4 6BH, United Kingdom

Tel: +44 (0)20 8569 4100 Fax: +44 (0)20 8569 4111

## Curves



## Dimensions



### E.C. Products Limited - Head Office

EC House, Amberley Way, Hounslow  
Middlesex, TW4 6BH, United Kingdom

Tel: +44 (0)20 8569 4100 Fax: +44 (0)20 8569 4111