



## Hinged Door Enclosures ENC-DED

### Description:

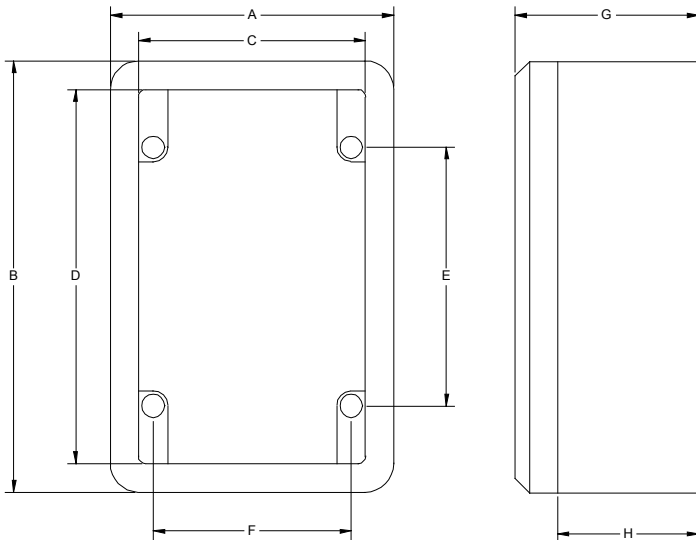
Hinged Door Enclosures are made from ABS HB material to IP65 standard and come complete with a steel back plate, mounting wall brackets, lock and key. They come in eight sizes and 2 styles, clear door and solid door, they can be used in various environments including coastal conditions, dry dusty environments and in heavy humidity.

### Features:

- Designed to meet protection and combustibility standards IP65 and IK08
- Available in eight sizes
- Supplied in grey (RAL 7035) with solid door and base unit
- Come complete with Steel back plate, Mounting Brackets & Key
- Wall thickness on the range is 3 – 3.5mm
- Made from UL approved ABS-HB flame retardant plastic
- Comply with the following standards: EN 60439-1, EN 62208, CEI 23-48, CEI 23-49
- Perform within a temperature range of  $-20^{\circ}$  to  $+85^{\circ}\text{C}$
- Suitable for use in sea salt air conditions and dry dust environments



### Dimensions:



### Order Codes:

<b>ENC-DED001</b>	Enclosure 200x300x130 Solid Door
<b>ENC-DED002</b>	Enclosure 250x350x150 Solid Door
<b>ENC-DED004</b>	Enclosure 300x400x170 Solid Door
<b>ENC-DED005</b>	Enclosure 300x400x220 Solid Door
<b>ENC-DED006</b>	Enclosure 350x500x190 Solid Door
<b>ENC-DED007</b>	Enclosure 400x500x240 Solid Door
<b>ENC-DED008</b>	Enclosure 400x600x200 Solid Door
<b>ENC-DED010</b>	Enclosure 500x700x250 Solid Door
<b>ENC-DED011</b>	Enclosure 200x300x130 Clear Door
<b>ENC-DED012</b>	Enclosure 250x350x150 Clear Door
<b>ENC-DED014</b>	Enclosure 300x400x170 Clear Door
<b>ENC-DED015</b>	Enclosure 300x400x220 Clear Door
<b>ENC-DED016</b>	Enclosure 350x500x190 Clear Door
<b>ENC-DED017</b>	Enclosure 400x500x240 Clear Door
<b>ENC-DED018</b>	Enclosure 400x600x200 Clear Door
<b>ENC-DED020</b>	Enclosure 500x700x250 Clear Door

Size	200x300x130	250x350x150	300x400x170	300x400x220	350x500x190	400x500x240	400x600x200	500x700x250
<b>Model</b>	<b>ENC-DED001</b> <b>ENC-DED011</b>	<b>ENC-DED002</b> <b>ENC-DED012</b>	<b>ENC-DED004</b> <b>ENC-DED014</b>	<b>ENC-DED005</b> <b>ENC-DED015</b>	<b>ENC-DED006</b> <b>ENC-DED016</b>	<b>ENC-DED007</b> <b>ENC-DED017</b>	<b>ENC-DED008</b> <b>ENC-DED018</b>	<b>ENC-DED010</b> <b>ENC-DED020</b>
<b>A</b>	200	250	300	300	350	400	400	500
<b>B</b>	300	350	400	400	500	500	600	700
<b>C</b>	143	195	245	241	291	341	341	443
<b>D</b>	250	300	357	348	448	448	548	650
<b>E</b>	177	227	277	277	377	377	477	577
<b>F</b>	130	180	230	230	280	330	330	430
<b>G</b>	130	150	170	220	190	240	200	250
<b>H</b>	119	139	159	209	179	229	189	239

### EC Products Limited

EC House, Amberley Way, Hounslow,  
Middlesex. TW4 6BH. United Kingdom  
Tel: +44 (0)20 8569 4100 Fax: +44 (0)20 8569 4111