

Description

The EP-LAP electronic timer switch provides energy saving functionality in ventilation, boiler and lighting installations. It is ideal for applications where simple interface is required to control the extension times of the plant. Other typical applications include manual override to provide intensive ventilation during busy periods.

Features

- 5 or 10 hour versions
- Flush or surface mounted
- 24Vac or 230Vac Power Supply
- Timer Hold Feature



Technical Specification

Power Supply:	24Vac or 230Vac
Relay Contact:	10A @ 230Vac
Time Selection:	EP-LAP5 - 1...5 hours EP-LAP10 - 2...10 hours
Accuracy:	<± 1 s/h
Housing:	White Plastic IP20 85 x 85 x 46mm

Operation

As the button is pushed and released the number of hours is registered until the device turns back to the off condition. When the unit displays a select time period the relay contact will be energised until the time elapses and the relay de-energises. Holding the button for more than 3 seconds will cancel any set period. The maximum period can be limited by jumper selection.

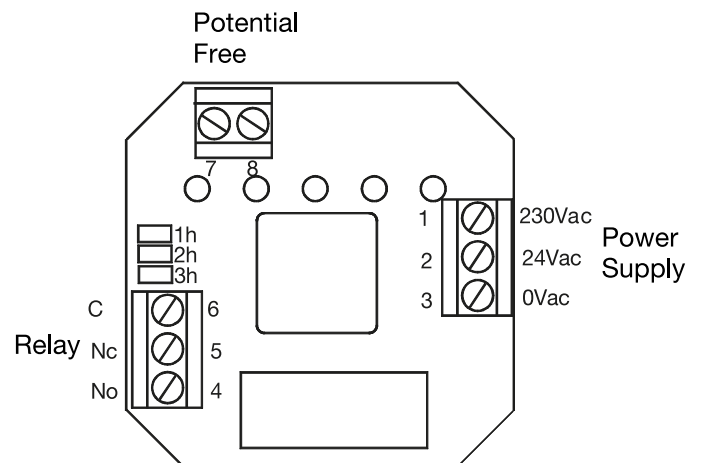
Order Codes

EP-LAP5	Plant Extension Timer 5 hours
EP-LAP10	Plant Extension Timer 10 hours

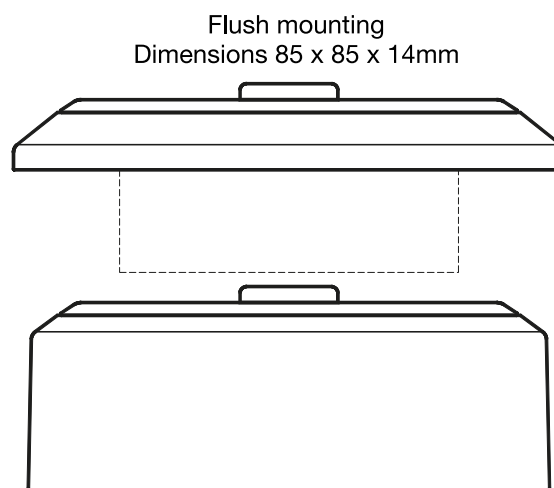
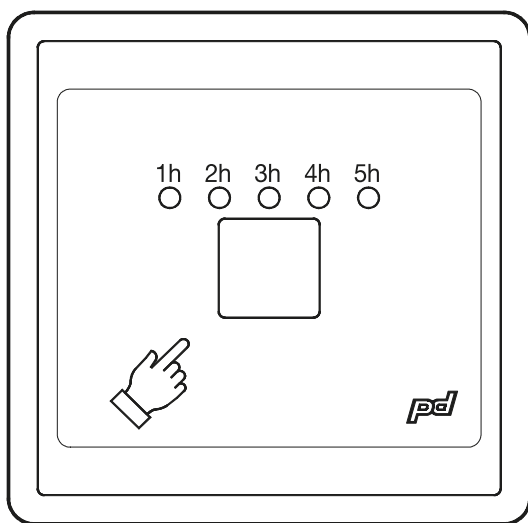
Timer Hold Feature

If the VFC contact is open the timer will not count down. If a time is set, the LEDs will flash to indicate that the timer is held. When the VFC is closed the LED will be permanently energised, the relay will operate and the timer will count down. One use of this feature is to use 2 timers in sequence, one acting as a delay for the period start and one for the length of the period in control. This is ideal for advanced selection of infrequently used zones, e.g. in two hours time the room will be occupied for four hours which is ideal for changing rooms, meeting rooms or sports facility floodlights.

Wiring Connections & Contact Arrangement



Dimensions



Surface mounting
Dimensions 80 x 80 x 32mm

E.C. Products Limited - Head Office

EC House, Amberley Way, Hounslow
Middlesex, TW4 6BH, United Kingdom

Tel: +44 (0)20 8569 4100 Fax: +44 (0)20 8569 4111