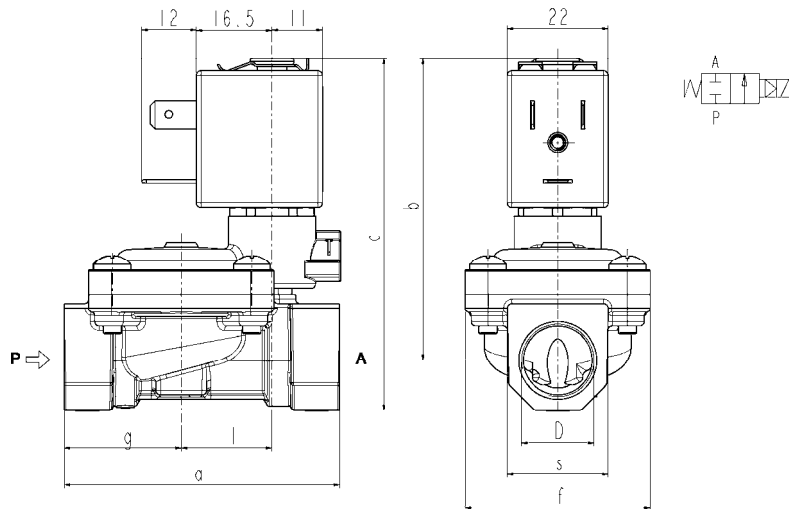




SOLENOID VALVE
2/2- NC (Normally closed)
Pilot operated
G 3/8 ÷ G 1

L182



D	a	b	c	f	g	l	s
G 3/8	60	66	77	40	25,5	20	22
G 1/2	66	68	82	40	29	20	27
G 3/4	79	72,5	89	50	35,5	24,5	33
G 1	105	85	106	71	46	28	42

► **GENERAL FEATURES**

Diaphragm valve, pilot operated, having full orifice.
 Suitable to shut off liquid and gaseous fluids (verify the compatibility of fluid with material in contact).

► **TECHNICAL FEATURES**

Maximum allowable pressure (PS) 20bar
Opening time from ~300ms to ~1500ms
Closing time from ~1000ms to ~2000ms
Fluid temperature -10°C +90°C (NBR)
 0°C +130°C (FPM)
 -10°C +140°C (EPDM)
Max viscosity 5°E (~37 cStokes o mm²/s)

► **MATERIALS IN CONTACT WITH FLUID**

Body Brass
Sealing NBR or FPM or EPDM
Internal components Brass and stainless steel
Seat Brass
Core tube Stainless steel
Shading coil Copper

► **COIL**

Approval
Encapsulation material

Insulation class
Ambient temperature

Continuous duty
Electric connection

Protection degree

Voltages DC
 AC

* **On request**

Approval
Voltages AC

ZB10A	ZB12A *	ZB14A *
/	UL and CSA	UL and CSA
PA fiberglass reinforced	PET fiberglass reinforced	PET fiberglass reinforced
F (155°C) -10°C +60°C	F (155°C) -10°C +60°C	H (180°C) -10°C +75°C

ED 100%		
DIN 46340- 3 poles plug connector		
IP 65 (EN 60529) with plug connector	IP 67 (EN 60529) with plug connector	IP 67 (EN 60529) with plug connector
12-24V (+10% -5%)		
24V/50-60Hz - 115V/50Hz - 230V/50-60Hz (+10% -15%)		
(Other voltages and frequencies on request).		

/	ZB12Y	ZB14Y
/	UL	UL
/	220-230V/50Hz	208-240V/60Hz

Port size ISO 228	Orifice size (mm)	Differential pressure (bar)				Kv (m ³ /h)	Series and type			Power absorption				Sealings	Notes	Weight (kg)	
		Δp min	Δp max				Valve	Valve with manual override	Coil	AC (VA)		DC					
			Gases		Liquids					Inrush	Holding						
			AC	DC	AC								DC				VA
3/8	13,5	0,35	16	16	16	16	L182(*)01	L182(*)02	ZB10A ZB12A	12	6	4	5,5	(*) = B (NBR)	1-3	0,32	
1/2			(12)	(12)	(12)	(12)										0,38	
3/4	18		12	12	12	12									(*) = V (FPM)	2-3	0,52
1	24		(10)	(10)	(10)	(10)											(*) = D (EPDM)

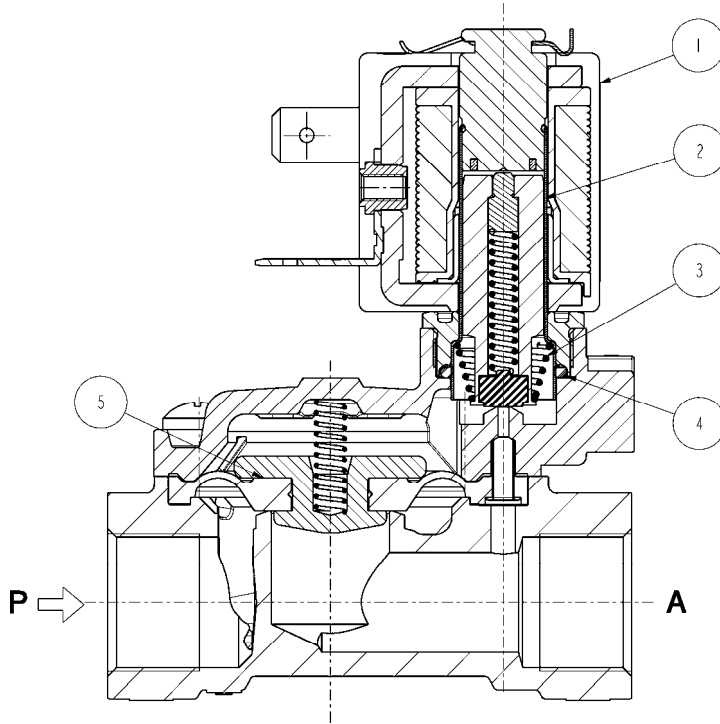
► **NOTES**

- Sealings: B(NBR)=Nitrile-butylene elastomer V(FPM)=Fluoro-carbon elastomer D(EPDM)=Ethylene-propylene elastomer (WRAS/KTW certified compound)
- Operation with gaseous media, at high pressure without any outlet restriction, can reduce the diaphragm life.
- On request coil in class H (ZB14A – see § "COIL")
- The bracketed values of Δp max are related to valves with V(FPM) seals.
- 1 - Low power consumption coil on request (3,5 VA in AC – 3W in DC): Δp max = 12 bar
- 2 - Low power consumption coil on request (3,5 VA in AC – 3W in DC): Δp max = 8 bar
- 3 - L182D01 – L182D02: WRAS certified solenoid valves (certificate n. 0904038).

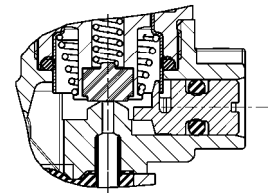
L182

► SPARE PARTS

L182 B-V-D01



L182 B-V-D02



Kit description

Kit P.N.

Consisting of:

Core kit	L182B-V		G3138201	Core kit pos.2 Core return spring pos. 3 O-Ring guide assembly pos. 4
	L182D		G3138202	
Diaphragm assembly	L182B	3/8-1/2	2844302R	Diaphragm assembly pos.5
	L182V	3/8-1/2	2844303R	
	L182D	3/8-1/2	2844306R	
	L182B	3/4	2299701R	
		1	2380101R	
	L182V	3/4	2299702R	
		1	2380102R	
	L182D	3/4	2299708R	
		1	2380106R	
Coil			ZB10	Coil pos.1
			ZB12	
			ZB14	

► INSTALLATION

- Solenoid valve can be mounted in any position; vertical with coil upwards preferred.

WRAS[®]

Water Regulations Advisory Scheme

This certifies that

SIRAI ELETTROMECCANICA

has had the undermentioned product examined, tested and found, when correctly installed, to comply with the requirements of the United Kingdom Water Supply (Water Fittings) Regulations/Scottish Water Byelaws.

**L182 RANGE OF SOLENOID VALVES.
MAXIMUM WORKING PRESSURE 12.0 BAR @ 90°C.**

Reference should be made to the accompanying acceptance letter for installation requirements

*The product so mentioned will be listed in the
Water Fittings and Materials Directory
for a period until:*

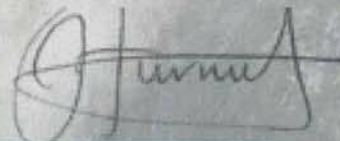
29 APRIL 2014

0904038

Certificate No.



Chairman, Test and Assessment Group



Secretary

WRAS
**APPROVED
PRODUCT**