



Moulded Current Transformers MU-M

Page 1 of 1

Description

A range of high quality current transformers the MU-M range provides accurate measurement of high primary currents, converting to a 5 Amp secondary current, proportional to the primary current.

Features

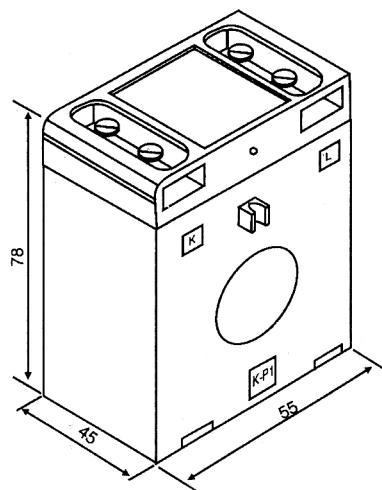
- High quality
- Comprehensive measuring class accuracies
- Wide range of current ratings
- Wire sealable terminal covers



Technical Specification

System Voltage:	720V maximum
Test Voltage:	3kV for 1 minute
System Frequency:	50Hz or 60Hz.
Primary Ratings:	From 50A to 250A (others to order)
Secondary Outputs:	5A
Short Circuit Thermal:	3kA for 1 second
Overload Withstand:	1.2 times rated current continuously
Secondary Terminals:	M5 screw clamps
Operating Temperature:	-20°C to +70°C
Humidity:	Up to 95% RH (non condensing)
Case Size:	55mm wide x 45mm deep x 78mm high
Aperture:	20mm diameter
Weight:	0.4Kg

Dimensions



Order Codes

MU-M50	Moulded Current Transformer 50:5A
MU-M100	Moulded Current Transformer 100:5A
MU-M150	Moulded Current Transformer 150:5A
MU-M250	Moulded Current Transformer 250:5A

E.C. Products Limited - Head Office

EC House, Amberley Way, Hounslow
Middlesex, TW4 6BH, United Kingdom

Tel: +44 (0)20 8569 4100 Fax: +44 (0)20 8569 4111