

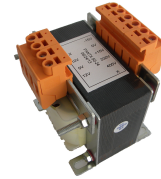
230Vac to 24Vac Control Transformers PS

Description

The PS 230Vac to 24Vac Transformers are available in a choice of power ratings and are suitable for a wide of range of power supply applications requiring a 24Vac supply.

Features

- M4 Stud Earth Connector
- Ratings up to 250VA

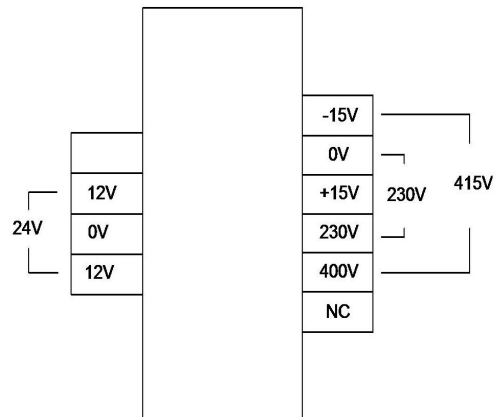


Technical Specification

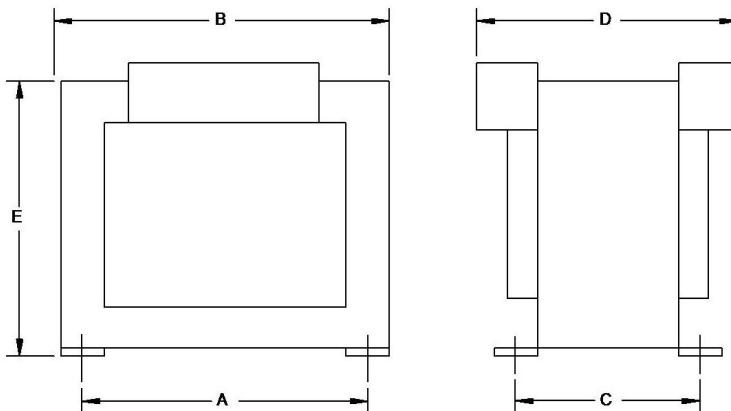
Input Voltage: 220/240Vac \pm 5%
Output Voltage: 24Vac \pm 10%
Terminals: Rising clamp 0.5 – 2.5mm² cable
Ambient: -10°C to +50°C, 0-95% RH non-condensing
Dimensions: See table below

Order Codes

PS-50 230Vac transformer 50VA
PS-100 230Vac transformer 100VA
PS-150 230Vac transformer 150VA
PS-250 230Vac transformer 250VA



Dimensions



DIMENSIONS

Model	A	C	B	D	E
PS-50	64mm	52mm	77mm	75mm	70mm
PS-100	72mm	65mm	86mm	82mm	78mm
PS-150	84mm	65mm	97mm	82mm	85mm
PS-250	95mm	73mm	115mm	93mm	98mm

E.C. Products Limited - Head Office

EC House, Amberley Way, Hounslow
Middlesex, TW4 6BH, United Kingdom

Tel: +44 (0)20 8569 4100 Fax: +44 (0)20 8569 4111