

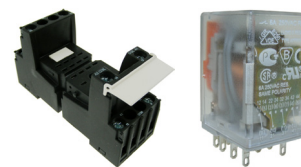
Miniature Industrial Relays & Sockets Rx

Description

A range 2, 3 & 4 pole relays and bases in a choice of coil voltage.

Features

- Choice of coil voltages
- Complete with test flag
- Optional LED



Technical Specification

	R2	R3	R4	
Dimensions (L x W x H):	27.5 x 21.2 x 35.6 mm	27.5 x 21.2 x 35.6 mm	27.5 x 21.2 x 35.6 mm	
Number and type of contacts:	2 C/O	3 C/O	4 C/O	
Contact material:	AgNi	AgNi	AgNi	
Max. switching voltage AC/DC:	250V/250V	250V/250V	250V/250V	
Min. switching voltage:	5V	5V	5V	
Rated load	AC1:	12A/250Vac	10A/250Vac	6A/250Vac
	DC1:	12A/24Vdc	10A/24Vdc	6A/24Vdc
Max. inrush current:	24A	20A	12A	
Rated current:	12A	10A	6A	
Max. breaking capacity AC1:	3000VA	2500VA	1500VA	
Contact resistance:	≤ 100mΩ	≤ 100mΩ	≤ 100mΩ	
Max. operating frequency:	At rated load AC1:	1200 cycles/hr	1200 cycles/hr	1200 cycles/hr
	No load:	18000 cycles/hr	18000 cycles/hr	18000 cycles/hr
Rated Coil voltage:	50/60Hz, AC:	See table	See table	See table
	DC:	See table	See table	See table
Rated power consumption:	AC:	1.6VA	1.6VA	1.6VA
	DC:	0.9W	0.9W	0.9W
Insulation category:	C250	C250	B250	
Insulation rated voltage:	250Vac	250Vac	250Vac	
Rated surge voltage:	4000Vac	2500Vac	2500Vac	
Operating time (typical value):	AC: 10mS DC: 13mS	AC: 10mS DC: 13mS	AC: 10mS DC: 13mS	
Release time (typical value):	AC: 8mS DC: 3mS	AC: 8mS DC: 3mS	AC: 8mS DC: 3mS	
Electrical life resistive AC1:	≥ 10 ⁵	≥ 10 ⁵	≥ 10 ⁵	
Mechanical life (cycles):	≥ 2 x 10 ⁷	≥ 2 x 10 ⁷	≥ 2 x 10 ⁷	
Weight:	35g	35g	35g	
Ambient temperature:	Storage:	-40...+85°C	-40...+85°C	-40...+85°C
	Operating:	-40...+55°C	-40...+55°C	-40...+55°C
Cover protection category:	IP40	IP40	IP40	
Vibration resistance:	5 g 10...150 Hz	5 g 10...150 Hz	5 g 10...150 Hz	

E.C. Products Limited - Head Office

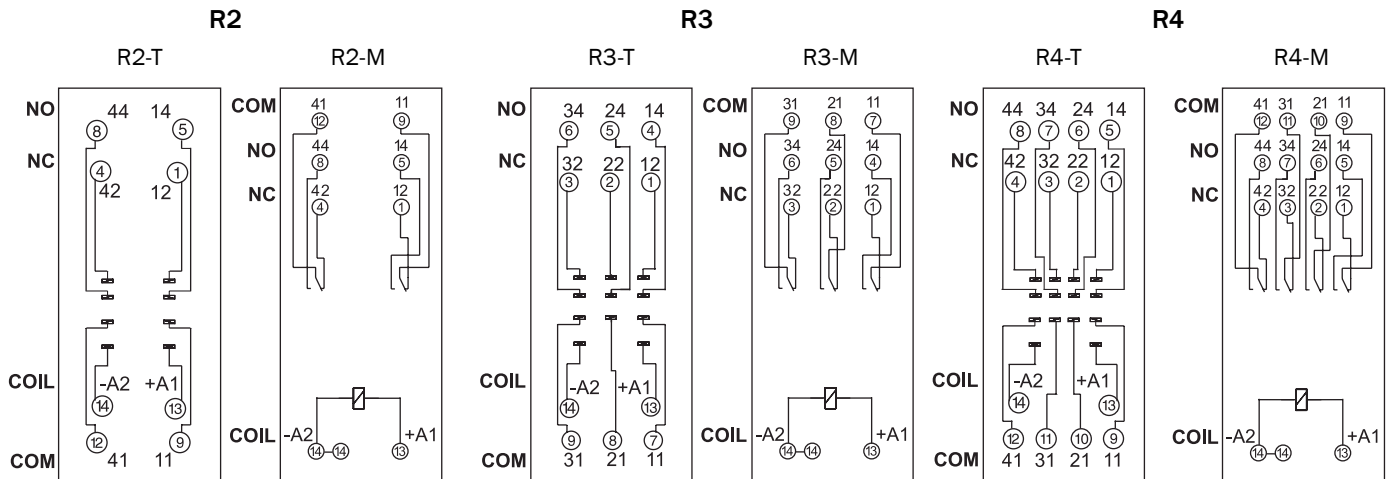
EC House, Amberley Way, Hounslow
Middlesex, TW4 6BH, United Kingdom

Tel: +44 (0)20 8569 4100 Fax: +44 (0)20 8569 4111

Order Codes

2 pole	3 pole	4 pole	Description
R2-12D	R3-12D	R4-12D	Relay with Test Flag 12VDC
R2-24D	R3-24D	R4-24D	Relay with Test Flag 24VDC
R2-24A	R3-24A	R4-24A	Relay with Test Flag 24VAC
R2-110A	R3-110A	R4-110A	Relay with Test Flag 110VAC
R2-230A	R3-230A	R4-230A </td <td>Relay with Test Flag 230VAC</td>	Relay with Test Flag 230VAC
R2-12D-L	R3-12D-L	R4-12D-L	Relay with Test Flag + LED 12VDC
R2-24D-L	R3-24D-L	R4-24D-L	Relay with Test Flag + LED 24VDC
R2-24A-L	R3-24A-L	R4-24A-L	Relay with Test Flag + LED 24VAC
R2-110A-L	R3-110A-L	R4-110A-L	Relay with Test Flag + LED 110VAC
R2-230A-L	R3-230A-L	R4-230A-L	Relay with Test Flag + LED 230VAC
R2-T	R3-T	R4-T	Standard Base
R2-M	R3-M	R4-M	Base with separate coil and contact circuits
R-CLIP	Retain/Eject clip for Rx-M/T bases		

Connection Details



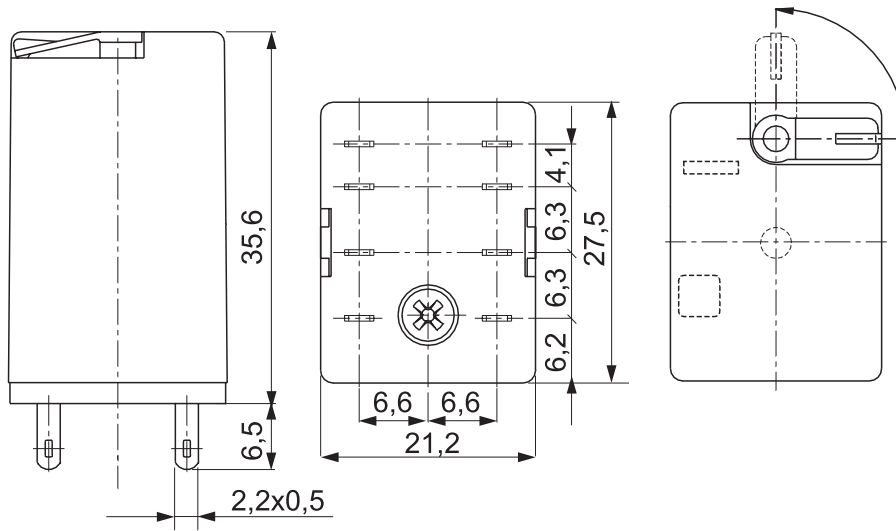
E.C. Products Limited - Head Office

EC House, Amberley Way, Hounslow
Middlesex, TW4 6BH, United Kingdom

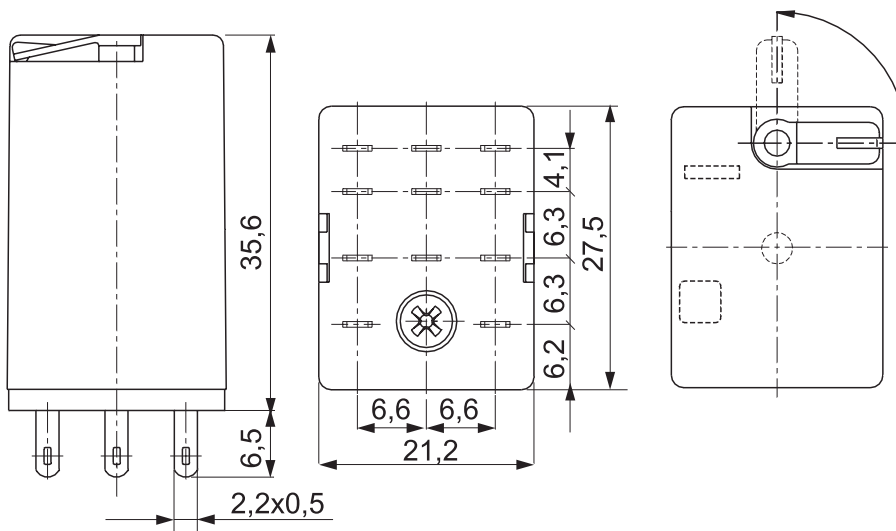
Tel: +44 (0)20 8569 4100 Fax: +44 (0)20 8569 4111

Dimensions

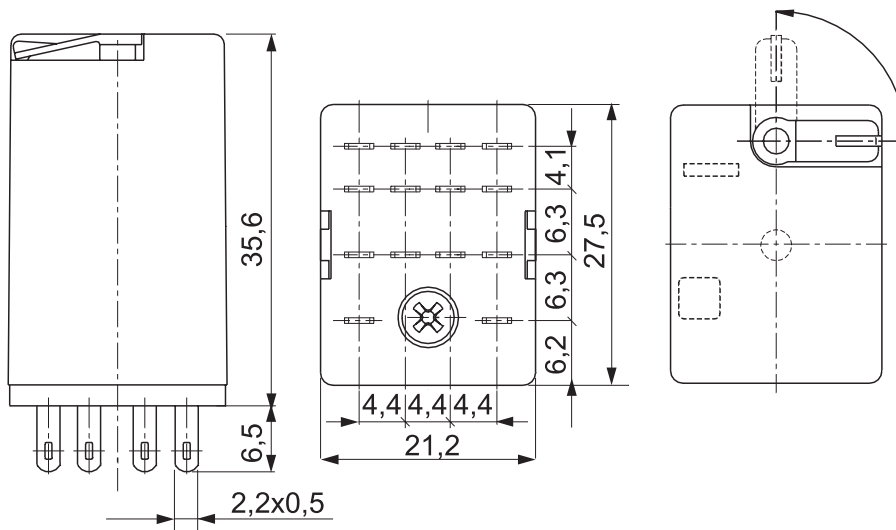
R2



R3



R4

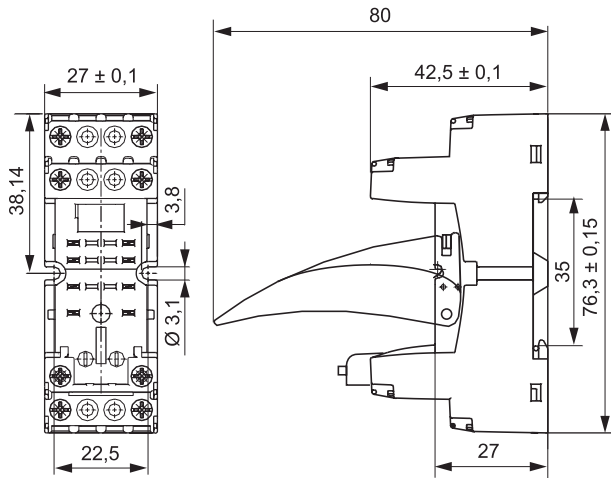
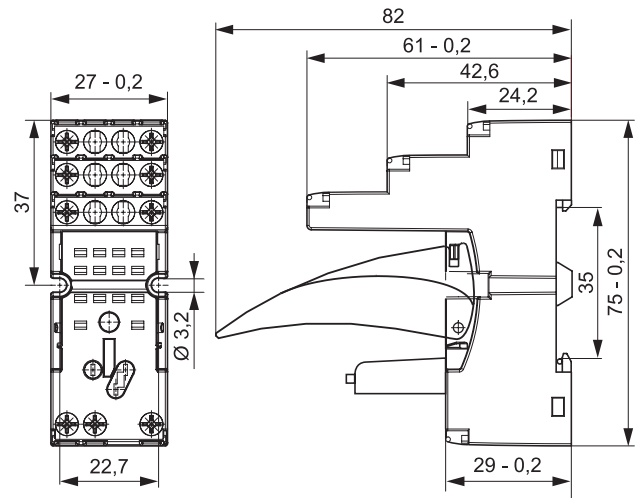
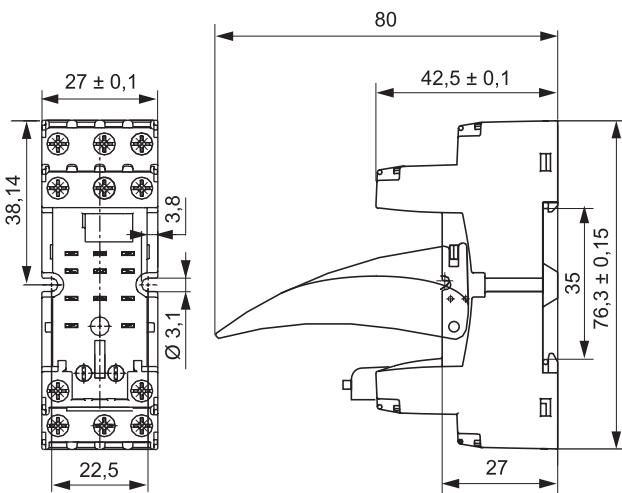
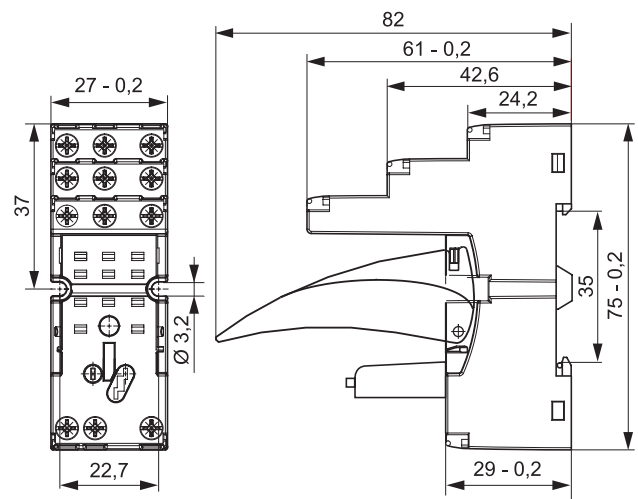
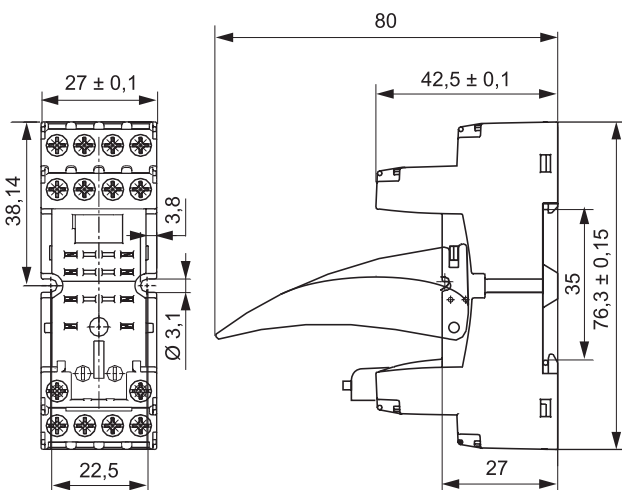
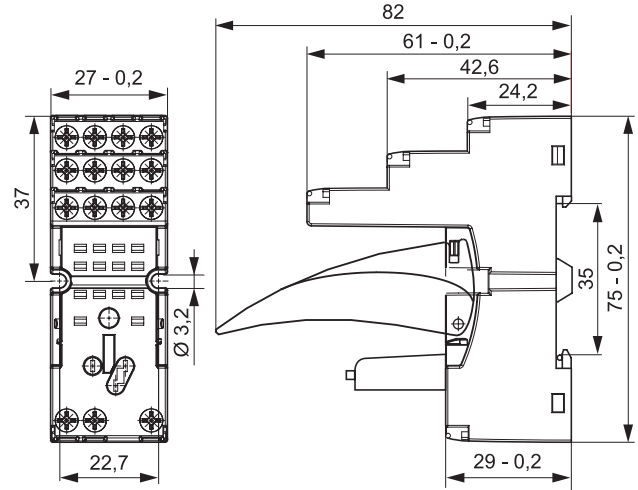


E.C. Products Limited - Head Office

EC House, Amberley Way, Hounslow
Middlesex, TW4 6BH, United Kingdom

Tel: +44 (0)20 8569 4100 Fax: +44 (0)20 8569 4111

Dimensions (continued)

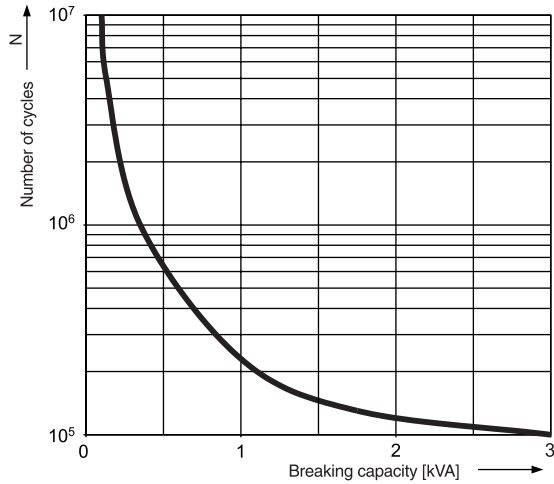
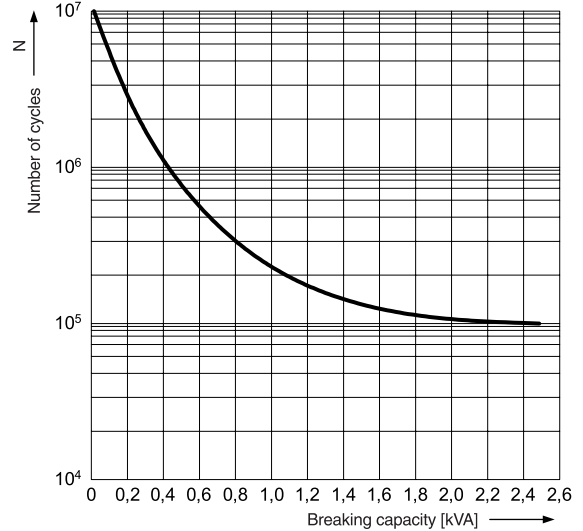
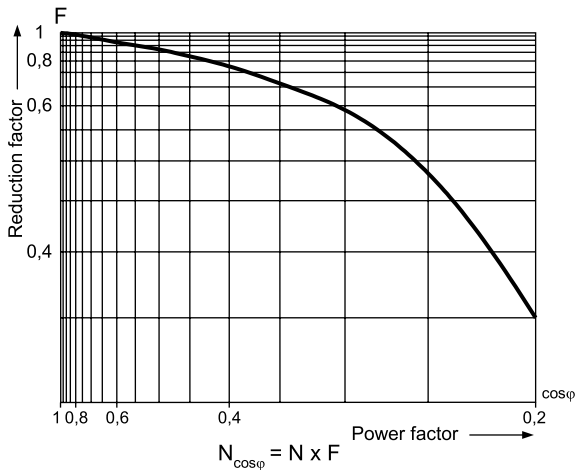
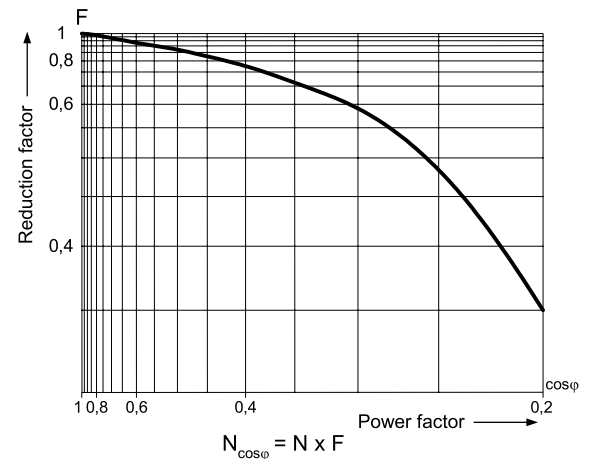
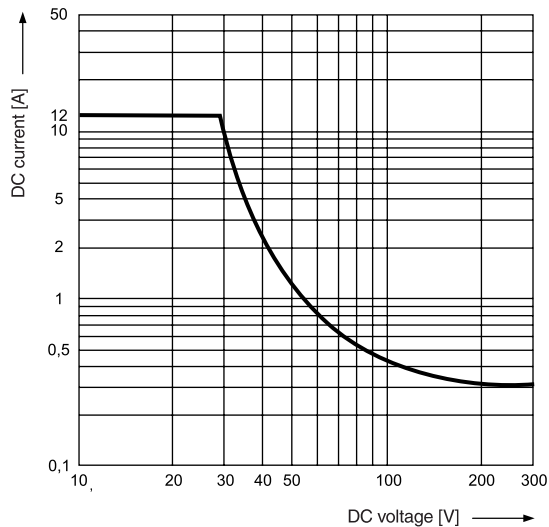
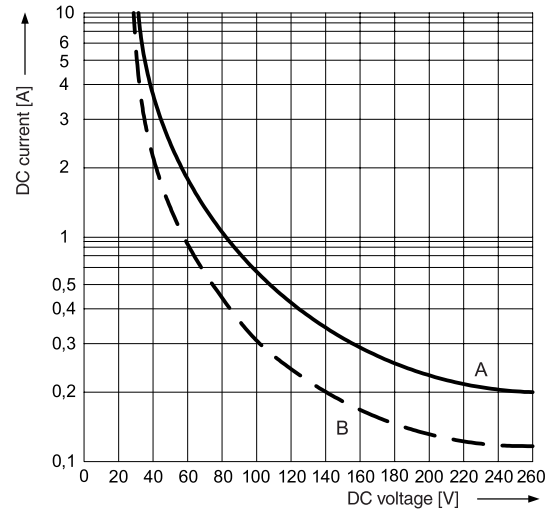
R2-T

R2-M

R3-T

R3-M

R4-T

R4-M


E.C. Products Limited - Head Office

EC House, Amberley Way, Hounslow
Middlesex, TW4 6BH, United Kingdom

Tel: +44 (0)20 8569 4100 Fax: +44 (0)20 8569 4111

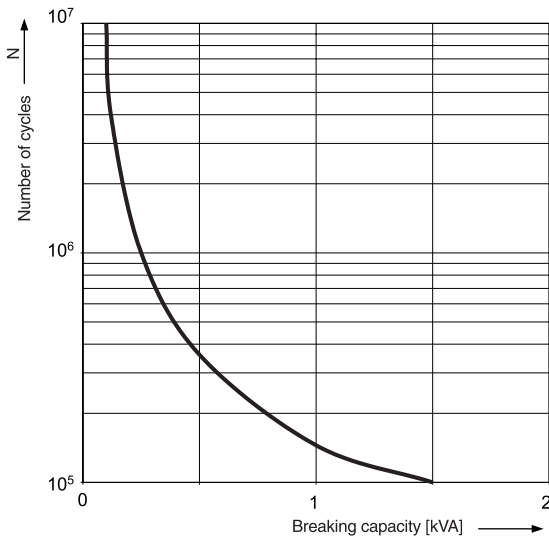
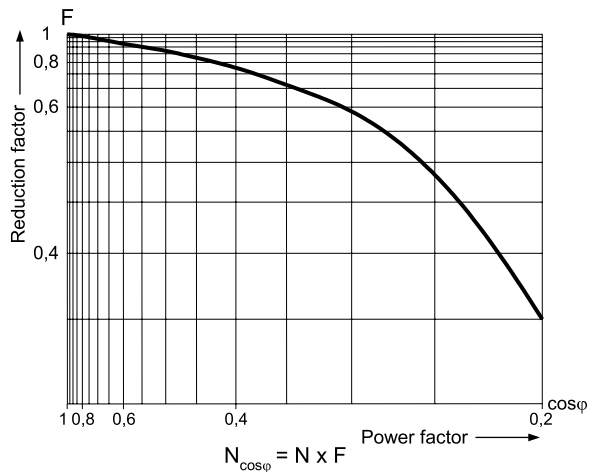
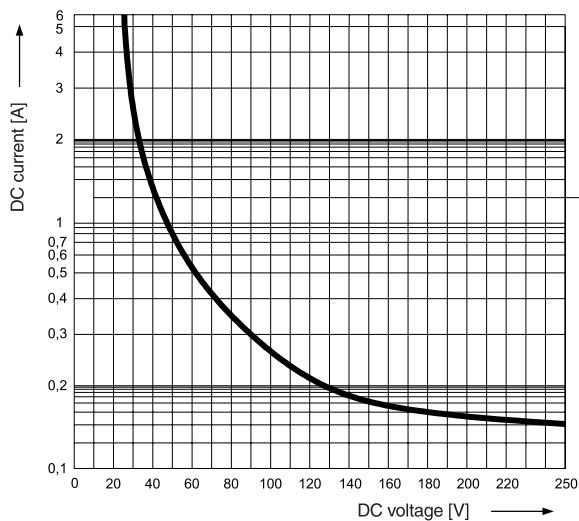
Specification Curves

R2
Electrical life at AC resistive load

R3
Electrical life at AC resistive load

Electrical life reduction factor at AC inductive load

Electrical life reduction factor at AC inductive load

Max. DC resistive load breaking capacity

Max. DC breaking capacity
A - resistive load T = 0 ms / B - inductive load L/R = 40 ms

E.C. Products Limited - Head Office

 EC House, Amberley Way, Hounslow
 Middlesex, TW4 6BH, United Kingdom

Tel: +44 (0)20 8569 4100 Fax: +44 (0)20 8569 4111

Specification Curves (continued)

R4
Electrical life at AC resistive load

Electrical life reduction factor at AC inductive load

Max. DC resistive load breaking capacity

E.C. Products Limited - Head Office

 EC House, Amberley Way, Hounslow
 Middlesex, TW4 6BH, United Kingdom

Tel: +44 (0)20 8569 4100 Fax: +44 (0)20 8569 4111