



Electronic Room Thermostat SRE06

Page 1 of 3

Description

SRE06 thermostats are mainly used in central air-conditioning and heating system. It provides temperature control for central air-conditioning fan coil cool/heat motorized valves or other actuating mechanism via a control signal which is produced by comparing actual measured temperature and the temperature setpoint. It can also control the fan blower of fan coil units and adjust the fan speed.



Features

- Auto-return function when turn off or power on.
- Power surge and instant pulse protection.
- Large LCD shows the ambient temperature, state & air volume.
- With system switch and fan speed switch.
- Internal or external temperature sensor (NTC thermistor)
- Cool/Heat shift (summer or winter)
- With ABS fireproof plastic, compliance with UL-94 standard.
- With flexible installation and convenient wire-connection.

Technical Specification

Specification for all models:

Accuracy:	±0.5°C
Control range:	10°C...30°C
Temperature sensor:	NTC thermistor 10KΩ
Operating temperature:	0...55°C
Storage temperature:	10...60°C
Ambient humidity:	90% rh maximum

Model specific specification:

	SRE06A (Heat/Cool) SRE06B (Cool Only)		SRE06C		SRE06F		SRE06P	
	AC24V	AC230V	AC24V	AC230V	AC24V	AC230V	AC24V	AC230V
Power supply:	AC24V	AC230V	AC24V	AC230V	AC24V	AC230V	AC24V	AC230V
Output:	AC24V 1A	AC230V 1A	AC24V 1A	AC230V 1A	AC24V 1A	AC230V 1A	DC0-10V 10mA	DC0-10V 5mA
Power consumption:	0.6VA	5VA	0.6VA	5VA	0.6VA	5VA	0.6VA	5VA
Fan voltage:	AC24V (2A)	AC230V (2A)	AC24V (2A)	AC230V (2A)	AC24V (2A)	AC230V (2A)	AC24V (2A)	AC230V (2A)
Control range:	-	-	-	-	>150s OR >300s (optional)		-	-
Return time:	-	-	-	-	Total runtime for valve in the same direction >150s (>300s), uses overtime protection state		-	-

Order Codes

SRE06A-24	24V On/Off Thermostat - Heat or Cool
SRE06A-230	230V On/Off Thermostat - Heat or Cool
SRE06B-24	24V On/Off Thermostat - Cool only
SRE06B-230	230V On/Off Thermostat - Cool only
SRE06C-24	24V On/Off Thermostat - Heat & Cool
SRE06C-230	230V On/Off Thermostat - Heat & Cool
SRE06F-24	24V Floating Output Thermostat
SRE06F-230	230V Floating Output Thermostat
SRE06P-24	24V Modulating Output Thermostat
SRE06P-230	230V Modulating Output Thermostat

E.C. Products Limited - Head Office

EC House, Amberley Way, Hounslow
Middlesex, TW4 6BH, United Kingdom

Tel: +44 (0)20 8569 4100 Fax: +44 (0)20 8569 4111

Instructions

1. Cool/heat shift:

SRE06A, SRE06B, SRE06C:

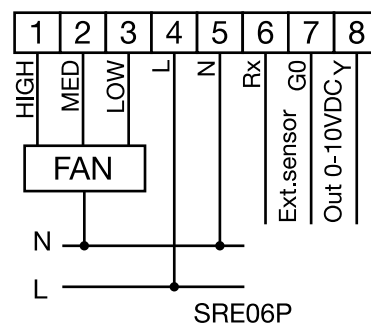
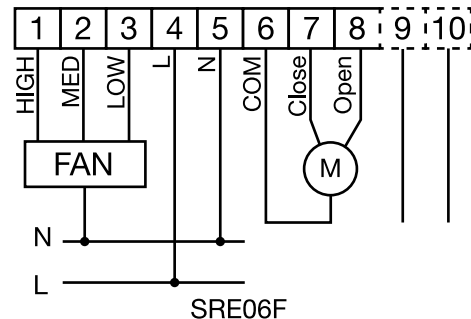
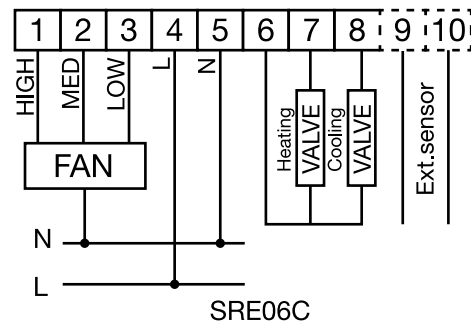
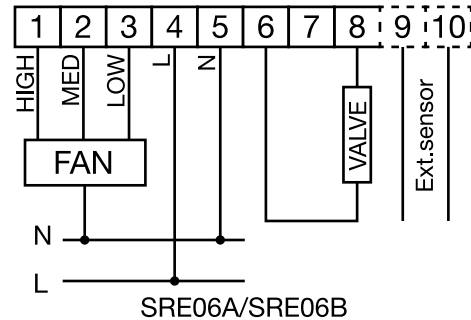
When the thermostat is used for a 2-pipe application (SRE06A and SRE06B), move the power supply switch to “❄️” and the system will enter into cooling state, the LCD will show the cooling state symbol. Move the switch to “⚙️” and the system will enter heating state, the LCD will show the heating state symbol, When it moves to “●”, the LCD will shut off and then the system will be shut off. When it is used for 4-pipe applications (SRE06C), move the power supply switch to “ON” position, the system will be powered on and start to work. The heating/cooling output will change automatically according to the measured temperature and the setting temperature. The unit will send an output to the appropriate actuator. Move the power supply to “OFF” position, LCD will shut off and then the system will be shut off.

SRE06F, SRE06P

When power on (power supply switch at “●”), the thermostat will self-check, and then make the valve run for 150 seconds (or 300 seconds) continuously towards the closing end. When it finishes operation, the system will enter into turn off state. When the power supply switch moves to “❄️”, the LCD will show the cooling state symbol, the action signal will output forward; when it moves to “⚙️”, the LCD will show the heating state symbol, the action signal will output backward. When it moves to “●”, the LCD will shut off, the valve will run for 150 seconds (or 300 seconds) continuously towards the closing end, then the system will be shut off.

2. **Fan:** When the thermostat is in cooling or heating state, move the fan switch, the LCD will display corresponding air volume symbol. The terminals will output power and provide operating power for the fan.
3. **Temperature setting:** When user presses the Δ (increase) or ∇ (decrease) button, LCD display temperature setting will show increase or decrease accordingly. The increase/decrease rate is 1°C. The adjusting range is 10~30°C. When user stops pressing the button for over 5 seconds, the thermostat will change the setting temperature data in its memory and then the LCD shows the ambient temperature. (You can choose the initialization setting point as 22°C, 23°C or 25°C)
4. **Built-in/external sensor:** When built-in NTC thermistor is used, the jumper J3 should be put to “Int” position. If the external NTC sensor is used, the jumper J3 should be put to “Ext” position.
5. The temperature range shown on the LCD is 0°C ~ 40°C

Wiring



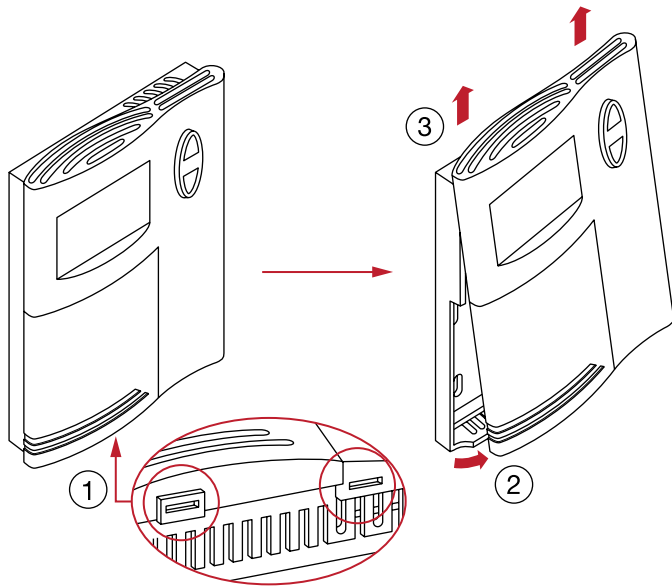
E.C. Products Limited - Head Office

EC House, Amberley Way, Hounslow
Middlesex, TW4 6BH, United Kingdom

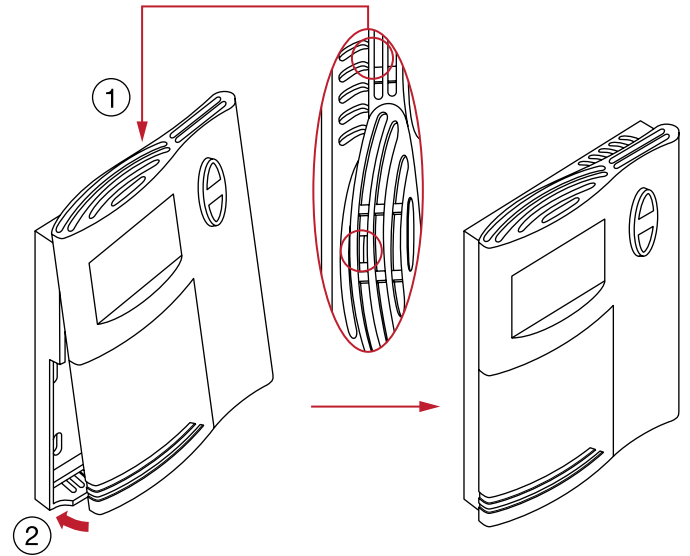
Tel: +44 (0)20 8569 4100 Fax: +44 (0)20 8569 4111

Installation

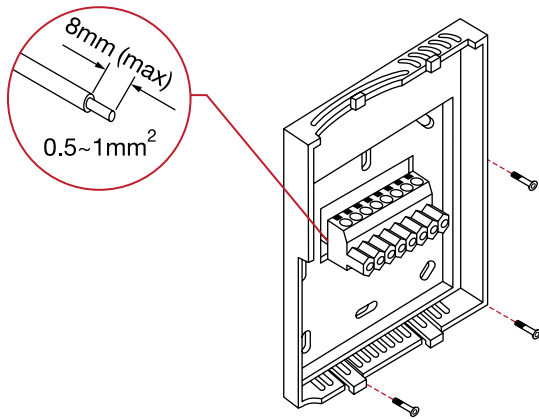
1.



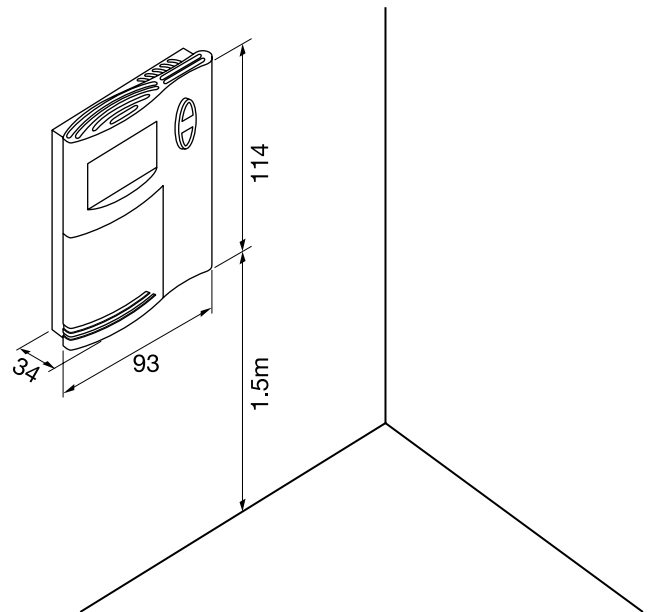
3.



2.



4.



E.C. Products Limited - Head Office

EC House, Amberley Way, Hounslow
Middlesex, TW4 6BH, United Kingdom

Tel: +44 (0)20 8569 4100 Fax: +44 (0)20 8569 4111