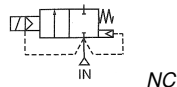


Media: air – water – gas – light oil  
 Pressure range: 0.5 to 15 bar max  
 Media temperature: -10°C +160°C max  
 Ambient temperature: -20° to +60°C  
 Media viscosity: 50 centistokes max  
 Mounting: coil upright  
 Opening / Closing time: 50 mSec Max



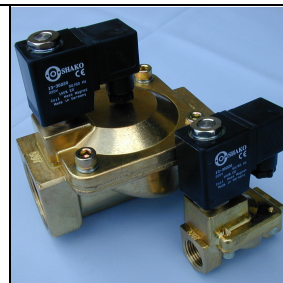
# 2/2 Brass

## 3/8 - 3

### NORMALLY CLOSED

### 2 WAY SERVO ASSISTED

### 0.5 – 15 Bar



#### PRESSURE

Ø Port BSP	Ø Orifice (mm)	Flow Kv Ltr/ min	Coil	Pressure Rating (bar) ΔP		Max Working	Seals	Max Media	Please select Voltage	
				Min	Max					
3/8	13	40.0	22003	0.5	10	15	NBR FKM EPDM	80 130 160		
1/2	13	40.0	22003	0.5	10	15	NBR FKM EPDM	80 130 160	SV15/NC	230/24V
3/4	25	165.0	22003	0.5	10	15	NBR FKM EPDM	80 130 160	SV20/NC	230/24V
1	25	165.0	22003	0.5	10	15	NBR FKM EPDM	80 130 160	SV25/NC	230/24V
1 1/4	38	367	22003	0.5	10	15	NBR FKM EPDM	80 130 160	SV32/NC	230/24V
1 1/2	38	500	22003	0.5	10	15	NBR FKM EPDM	80 130 160	SV40/NC	230/24V
2	50	600	22003	0.5	10	15	NBR FKM EPDM	80 130 160	SV50/NC	230/24V
2 1/2	65	1050	16W	0.3	10	15	NBR FKM EPDM	80 120 120		
3	75	1380	16W	0.3	10	15	NBR FKM EPDM	80 120 120		

#### OPTIONS

IP65 Coil & Connector PG9 – DIN 43650 A  
 ATEX 22003EX Coil: ATEX EExmIIT4 II 2G & 2D IP65 T130°C ☹️  
 Explosion Proof Enclosure ATEX II 2 G/D EExdIICT6 IP65 85°C ☹️  
 NPT Thread (Not available 2 1/2 + 3")  
 Manual Over ride custom made option

#### ELECTRICAL DATA

Voltage (-10% + 10%) Continuous duty 100%		Coil	Power Consumption		Insulation class	Enclosure	Electrical connections
~	=		Inrush	Holding			
~ 24 – 48 – 110 – 240 – 380 (50 or 60 Hz)	= 12 – 24 – 48 (DC)	22003	23VA	17VA	H 180°C	IP 65 with connector	3 spades DIN 43650A DIN 40050 VDE 0110
~ 24 – 48 – 110 – 220 – 380 (50 or 60 Hz)			15 Watts				
~ 12 – 24 – 48 (DC)	= 12 – 24 – 48 (DC)	16W	25VA	15VA	F 155°C		
~ 12 – 24 – 48 (DC)			16 Watts				

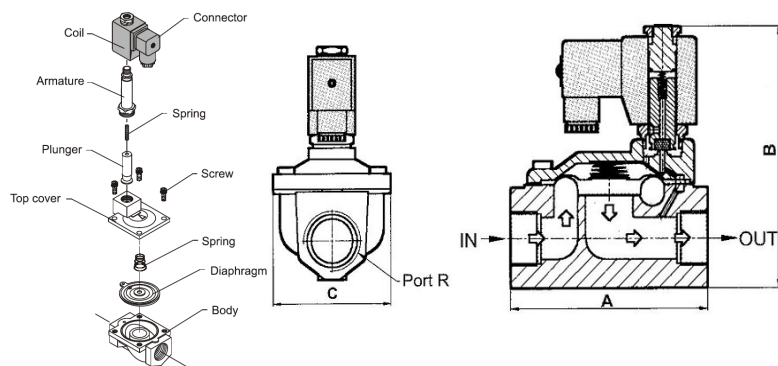
#### CONSTRUCTION

Body: Brass  
 Tube and internal parts: Stainless steel  
 Seals and gaskets: NBR (Optional EPDM & FKM)  
 Moulded coil: 16 W Resin / 22003 DuroPlast ThermoSet Resin

#### REPAIR KIT

Diaphragm Seal	225 + orifice + seal material
Coil	Coil size (22003 or 16W) + voltage
Armature assembly (Normally Closed)	0543-95.6-00 (not 21/2 + 3")

#### OVERALL DIMENSIONS



Port	3/8 1/2	3/4 1	1 1/4 1 1/2	2	2 1/2	3
A	66.5	96	131	160	243	250
B	106.5	126.5	145.5	160.5	178	188
C	48	70	96	112	184	184
Kg	0.725	1.565	2.56	3.9	9.4	11.4