



0-10V Temperature Sensor

TE-*010

Description:

The TE-010 range of temperature sensors are designed to interface with a wide variety of control equipment. Units are fitted with a high quality PT1000 platinum element and a 0-10V output transmitter which can have the temperature range set by the installer. Units are available for space, duct, surface, immersion and outside mounting.



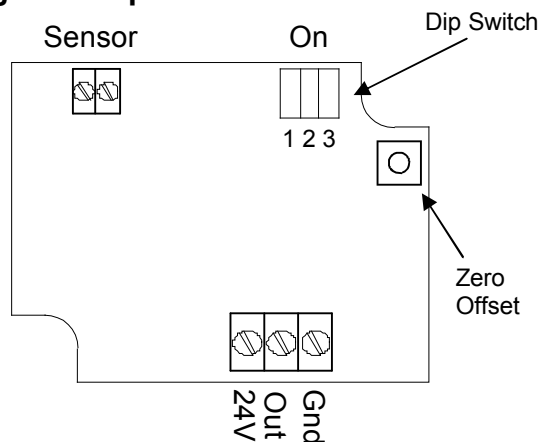
Technical Specification:

Sensor Type: PT1000 1000Ω @ 0°C, 2 wire, Class A
Output: 0-10Vdc
Accuracy: 0.1°C ±0.05% of reading + sensor accuracy
Power Supply: 24Vac/dc < 2.2VA
Thermal Drift: 1 μA/°C

Order Codes:

TE-R010 Space Temperature Sensor Multi-range
TE-D010 Duct Temperature Sensor Multi-range
TE-I010 Immersion Temperature Sensor Multi-range
TE-S010 Strap-on Temperature Sensor Multi-range
TE-O010 Outside Air Temperature Sensor Multi-range
 Other sensor types available. Contact us for details

Wiring & Set up:



Measuring Ranges	Dip 1	Dip 2	Dip 3
-20°C ...+150°C	ON	ON	ON
-50°C ...+50°C	OFF	ON	ON
-20°C ...+80°C	ON	OFF	ON
-30°C ...+60°C	OFF	OFF	ON
0°C+40°C	ON	ON	OFF
0°C+50°C	OFF	ON	OFF
0°C+100°C	ON	OFF	OFF
0°C+150°C	OFF	OFF	OFF

Features:

- 24Vac/dc powered
- 0-10Vdc output
- Range can be reprogrammed by the user
- 8 Temperature ranges
- Choice of sensor styles.

Installation:

The TE-010 sensor should be installed by a suitably qualified technician in conjunction with any guidelines for the equipment which it is to be connected to. As a general rule, screened cable should be used to connect the sensor to a BMS or other controller. Please note that none of the TE-010 sensors are suitable for use with mains voltage. The base of the **TE-R010** can be fixed to a standard conduit or patress box. The two centre holes can also be used to mount the sensor directly on a wall. The base also has a 15mm square cut-out for passing the cable through.

The **TE-D010** can be mounted directly on to the duct. Drill a 7mm diameter hole in the duct and mark the position of the 2 fixing holes with 85mm fixing centres. Drill 2 pilot holes in the positions, Insert the sensor probe into the duct, and screw to the duct with 2 screws.

For the **TE-I010** choose an accessible location for the sensor pocket where it will lie in the liquid to be measured. Screw the pocket into a 1/2" BSPT threaded boss, apply sealant to the boss thread. If the boss is threaded incorrectly, an adaptor should be used. Slide sensor probe into pocket with the cable entry at the desired angle. Tighten the grub screw to fix the sensor.

For the **TE-S010** choose a location where the probe will lie on the surface at a point representative of the temperature to be measured. The sensor can be mounted directly on to the surface using the strap included or other fixing arrangement. Mount the housing nearby by marking the position of the 2 fixing holes with 85mm fixing centres. Drill 2 pilot holes in the positions marked and mount the enclosure with 2 screws supplied.

The **TE-O010** should be mounted out of direct sunlight preferably on a north facing wall. Mark the position of the 2 fixing holes with 85mm fixing centres. Drill 2 pilot holes in the positions marked. Mount the housing with 2 screws.

EC Products Limited

EC House, Amberley Way, Hounslow,
 Middlesex. TW4 6BH. United Kingdom
 Tel:+44 (0)20 8569 4100 Fax: +44 (0)20 8569 4111