

Description

Small built-in temperature sensor for in-wall installation. It is preferably installed in walls and ceilings, fitting in well with the overall view of architecture.

Features

- Wide choice of sensor options



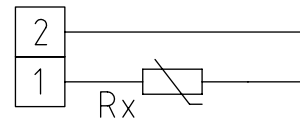
Technical Specification

| | |
|----------------------------|--|
| Measuring range: | - 20...+ 90 °C |
| Sensor Type: | Thermistor or RTD element |
| Accuracy: | Thermistor - $\pm 0.2^{\circ}\text{C}$, 0...70°C RTD - Class A |
| Connecting cable: | ca. 135 mm, 2 x 0.25 mm ² |
| Colour: | Signal white |
| Connecting head: | Aluminium |
| Process connection: | Inside suspended ceiling, cutout $\varnothing = 26$ mm |
| Humidity: | < 95 % r. H. |
| Protection type: | IP 30 |

Installation

The sensor should be installed by a suitably qualified technician in conjunction with any guidelines for the equipment which it is to be connected to. Field wiring should be installed to satisfy the requirements set out by the manufacturer of the equipment that the sensor is being connected to. As a general rule, screened cable should be used to connect the sensor to a BMS or other controller. Please note that none of the sensors are suitable for use with mains voltage.

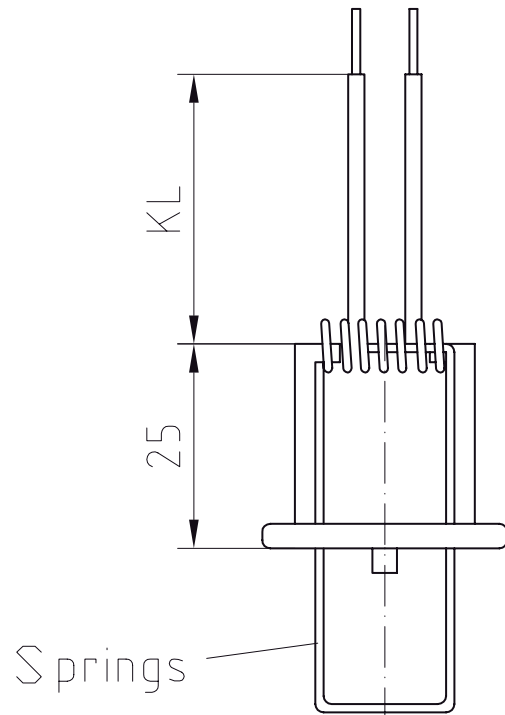
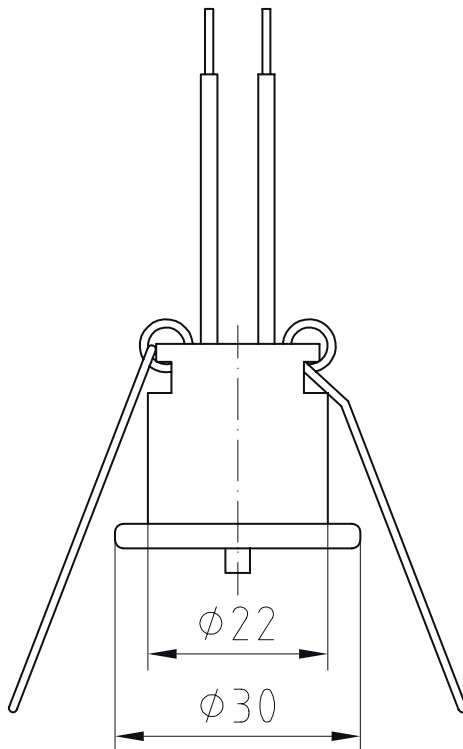
Wiring



Order Codes

| | |
|------------|------------------------|
| TE-DTF/T | 10K3A1, Trend |
| TE-DTF/A | 10K4A1, Andover, Delta |
| TE-DTF/H | 20K6A1, Honeywell |
| TE-DTF/100 | PT100A |
| TE-DTF/1K | PT1000A, Cylon |
| TE-DTF/LAN | Ni1000 TK5000, Siemens |
| TE-DTF/TAC | 1.8K3A1, TAC |

Dimensions



E.C. Products Limited - Head Office

EC House, Amberley Way, Hounslow
Middlesex, TW4 6BH, United Kingdom

Tel: +44 (0)20 8569 4100 Fax: +44 (0)20 8569 4111



Ceiling Temperature Sensors TE-DTF

BMS Compatibility

| Element Type | Manufacturer | Room | Outside | Duct | Immersion | Clamp | Bullet |
|-------------------------------|-----------------------------|---|----------------------------|---|---|------------------|----------------------------|
| 10K3A1 Type T | Aquatrol | • | • | • | • | • | • |
| | Honeywell | T8120B | T7416A T7043E | • | T7106A T7043F | T7044C | T7076D |
| | Johnson | • | • | TE-6361V TE-636GV-1 | • | • | • |
| | Satchwell | • | DOT10K2 DOS10K2 | DDT10K1 | DWT10K1 DST10K1 | • | • |
| | Seachange | SEN/PTR/ROM | SEN/PR/OAT | SEN/PR/DCT | SEN/PR/IMM | SEN/PR/CLP | SEN/FL |
| | Trend | TE-TS | TE-TO | TE-TD | TE-TI | TE-TC | • |
| 10K4A1 Type A | Andover | TTS-S Series | • | TT-O Series | TT-I Series | TT-ST | • |
| | Delta Controls | • | • | • | • | • | • |
| | Siebe | • | • | • | • | • | • |
| | York <40°C | • | • | • | • | • | • |
| 20K6A1 Type H | Honeywell | T7460H, T7470A, DRF20-S, RF20 T4712 | AF20, DAF20, T7416A1022 | LF20 | VF20T, VF20NT, VF20L, VF20LN, WPF20, T7425A | VF20A, WPF20A | KFT20, KFT20B, DKF20 |
| PT100 Type 100 | Sauter | EGT430/F011 | • | EGT466/F011 EGT447/F011 | • | • | EGT456/F011 |
| | Serck | • | • | • | • | • | • |
| | Siemens/ Landis & Staefa | QAA100 QAA2010 | QAC2010 | FK-TP/200 QAM2110 | QAE2110 | | QAP2010 |
| PT1000 Type 1K | Honeywell | T7412 | T7416A1014 | T7411 | T7413 | T7414 | |
| | Sauter | EGT430/F101 | EGT401/ F101 | EGT446/F101 EGT447/F101 | | EGT411/ F101 | EGT456/F101 |
| | Serck | • | • | • | • | • | • |
| | Siebe | TS-5811 | • | • | • | • | • |
| | Cylon | • | • | • | • | • | • |
| Ni1000 Type N1K | Sauter | EGT330/F101 | EGT301/ F101 | EGT346/F101 EGT347/F101 EGT348/F101 | EGT346/F101 EGT347/F101 EGT348/F101 | EGT311/ F101 | EGT354/F101 EGT356/F101 |
| Ni1000/ TK5000 Type LAN | Siemens/ Landis & Staefa | QAA24/25/ 26/27, QAA64 | QAC22 | QAM2120 | QAE2120 | QAD22 QAD26 | QAP21 QAP22 QAZ21 |
| SAT | Satchwell | DRT, DU, DUS, DUSF | DOT0002 DOS0002 | DDT0001 | DWT0001 DST0001 | • | DDU |
| TAC | TAC | • | • | • | • | • | • |
| 3K3A1 Type 3K | Alerton | MS-1000 Series, TS-1050 | • | • | • | • | • |
| 30K6A1 Type D | Drayton | A701 | A702 | • | A703 | A704 | • |
| 50K6A1 Type P | Ambiflex | • | • | • | • | • | • |
| 100K6A1 Type Y | York >40°C | • | • | • | • | • | • |
| SIE | Barber Colman | • | • | • | • | • | • |
| | Siebe | • | • | • | • | • | • |

E.C. Products Limited - Head Office

EC House, Amberley Way, Hounslow
Middlesex, TW4 6BH, United Kingdom

Tel: +44 (0)20 8569 4100 Fax: +44 (0)20 8569 4111



Ceiling Temperature Sensors TE-DTF

Thermistor Temperature Range

| 10K3A1 - Type T | | 10K4A1 - Type A | | 20K6A1 - Type H | | PT100A - Type 100 | | PT1000A - Type 1K | |
|----------------------------|--------|----------------------------|--------|----------------------------|--------|----------------------------|-------|----------------------------|------|
| Thermistor, temp coef. -ve | | Thermistor, temp coef. -ve | | Thermistor, temp coef. -ve | | Thermistor, temp coef. +ve | | Thermistor, temp coef. +ve | |
| Temp °C | Ω | Temp °C | Ω | Temp °C | Ω | Temp °C | Ω | Temp °C | Ω |
| -50 | 667828 | -50 | 441667 | 0 | 71120 | -50 | 80.3 | -50 | 803 |
| -40 | 335671 | -40 | 239831 | 1 | 67324 | -40 | 84.3 | -40 | 843 |
| -30 | 176683 | -30 | 135233 | 2 | 63749 | -30 | 88.2 | -30 | 882 |
| -20 | 96974 | -20 | 78930 | 3 | 60385 | -20 | 92.2 | -20 | 921 |
| -15 | 72895 | -15 | 61030 | 4 | 57218 | -15 | 96.1 | -15 | 961 |
| -10 | 55298 | -10 | 47549 | 5 | 54397 | -10 | 96.1 | -10 | 961 |
| -5 | 42314 | -5 | 37316 | 6 | 51429 | -5 | | -5 | |
| 0 | 32650 | 0 | 29490 | 7 | 48032 | 0 | 100.0 | 0 | 1000 |
| 1 | 31030 | 1 | 28157 | 8 | 46258 | 5 | | 5 | |
| 2 | 29500 | 2 | 26891 | 9 | 43938 | 10 | 103.9 | 10 | 1039 |
| 3 | 28054 | 3 | 25689 | 10 | 41719 | 15 | | 15 | |
| 4 | 26688 | 4 | 24547 | 11 | 39640 | 20 | 107.8 | 20 | 1078 |
| 5 | 25396 | 5 | 23462 | 12 | 37676 | 25 | 109.8 | 25 | |
| 6 | 24173 | 6 | 22430 | 13 | 36020 | 30 | 111.7 | 30 | 1117 |
| 7 | 23016 | 7 | 21450 | 14 | 34067 | 35 | | 35 | |
| 8 | 21921 | 8 | 20517 | 15 | 32409 | 40 | 115.5 | 40 | 1155 |
| 9 | 20885 | 9 | 19631 | 16 | 30841 | 45 | | 45 | |
| 10 | 19904 | 10 | 18787 | 17 | 29388 | 50 | 119.4 | 50 | 1194 |
| 11 | 18974 | 11 | 17983 | 18 | 27954 | 55 | | 55 | |
| 12 | 18092 | 12 | 17219 | 19 | 26625 | 60 | 123.2 | 60 | 1232 |
| 13 | 17257 | 13 | 16490 | 20 | 25387 | 65 | | 65 | |
| 14 | 16465 | 14 | 15797 | 21 | 24178 | 70 | 127.1 | 70 | 1271 |
| 15 | 15714 | 15 | 15136 | 22 | 23047 | 75 | | 75 | |
| 16 | 15001 | 16 | 14507 | 23 | 21977 | 80 | 130.9 | 80 | 1309 |
| 17 | 14325 | 17 | 13906 | 24 | 20962 | 85 | | 85 | |
| 18 | 13623 | 18 | 13334 | 25 | 20000 | 90 | 134.7 | 90 | 1347 |
| 19 | 13053 | 19 | 12788 | 26 | 19085 | 95 | | 95 | |
| 20 | 12494 | 20 | 12268 | 27 | 18225 | 100 | 138.5 | 100 | 1385 |
| 21 | 11943 | 21 | 11771 | 28 | 17404 | 105 | | 105 | |
| 22 | 11420 | 22 | 11297 | 29 | 16824 | 110 | 142.3 | 110 | 1423 |
| 23 | 10923 | 23 | 10845 | 30 | 16384 | 115 | | 115 | |
| 24 | 10450 | 24 | 10413 | 31 | 16189 | 120 | 146.1 | 120 | 1461 |
| 25 | 10000 | 25 | 10000 | 32 | 14491 | 125 | | 125 | |
| 26 | 9572 | 26 | 9606 | 33 | 13847 | 130 | 149.8 | 130 | 1498 |
| 27 | 9165 | 27 | 9229 | 34 | 13235 | 140 | 153.6 | 140 | 1536 |
| 28 | 8777 | 28 | 8869 | 35 | 12654 | 150 | 157.3 | 150 | 1573 |
| 29 | 8408 | 29 | 8525 | 36 | 12010 | 160 | 161.0 | 160 | 1611 |
| 30 | 8056 | 30 | 8197 | 37 | 11578 | 170 | 164.8 | 170 | 1648 |
| 35 | 6530 | 35 | 6754 | 38 | 11076 | 180 | 168.5 | 180 | 1685 |
| 40 | 5325 | 40 | 5594 | 39 | 10600 | 190 | 172.2 | 190 | 1722 |
| 45 | 4367 | 45 | 4656 | 40 | 10148 | 200 | 175.8 | 200 | 1758 |
| 50 | 3601 | 50 | 3893 | 41 | 9721.1 | 210 | 179.5 | 210 | 1795 |
| 55 | 2985 | 55 | 3271 | 42 | 9314.5 | 220 | 183.2 | 220 | 1832 |
| 60 | 2487 | 60 | 2760 | 43 | 8826.8 | 230 | 186.8 | 230 | 1868 |
| 65 | 2082 | 65 | 2339 | 44 | 8557.5 | 240 | 190.5 | 240 | 1905 |
| 70 | 1751 | 70 | 1990 | 45 | 8205.3 | 250 | 194.1 | 250 | 1941 |
| 75 | 1480 | 75 | 1700 | 46 | 7899.3 | 260 | 197.7 | 260 | 1977 |
| 80 | 1256 | 80 | 1458 | 47 | 7548.9 | 270 | 201.3 | 270 | 2013 |
| 85 | 1070 | 85 | 1255 | 48 | 7243.1 | 280 | 204.9 | 280 | 2049 |
| 90 | 916.1 | 90 | 1084 | 49 | 6951.2 | 290 | 208.5 | 290 | 2085 |
| 95 | 787.0 | 95 | 939.6 | 50 | 6672.6 | 300 | 212.0 | 300 | 2121 |
| 100 | 678.6 | 100 | 817.2 | 51 | 6404.0 | 310 | 215.6 | 310 | 2156 |
| 105 | 587.3 | 105 | 713.0 | 52 | 6148.9 | 320 | 219.1 | 320 | 2191 |
| 110 | 510.1 | 110 | 624.1 | 53 | 5904.6 | 330 | 222.7 | 330 | 2227 |
| 115 | 444.5 | 115 | 547.9 | 54 | 5671.4 | 340 | 226.2 | 340 | 2262 |
| 120 | 388.6 | 120 | 482.5 | 55 | 5448.6 | 350 | 229.7 | 350 | 2297 |
| 125 | 340.8 | 125 | 426.0 | 56 | 5235.7 | 360 | 233.2 | 360 | 2332 |
| 130 | 300.0 | 130 | 377.2 | 57 | 5092.3 | 370 | 236.7 | 370 | 2367 |
| 140 | 234.1 | 140 | 298.1 | 58 | 4837.8 | 380 | 240.1 | 380 | 2401 |
| 150 | 184.8 | 150 | 238.0 | 59 | 4651.6 | 390 | 243.6 | 390 | 2436 |
| 160 | - | 160 | - | 60 | 4473.9 | 400 | 247.0 | 400 | 2470 |
| 170 | - | 170 | - | 61 | - | 401 | - | 401 | - |
| 180 | - | 180 | - | 62 | - | 402 | - | 402 | - |
| 190 | - | 190 | - | 63 | - | 403 | - | 403 | - |
| 200 | - | 200 | - | 64 | - | | | | |

E.C. Products Limited - Head Office

EC House, Amberley Way, Hounslow
Middlesex, TW4 6BH, United Kingdom

Tel: +44 (0)20 8569 4100 Fax: +44 (0)20 8569 4111



Ceiling Temperature Sensors TE-DTF

Thermistor Temperature Range (continued)

| NI1000 - Type NIK | | Ni1000/TK5000 | | Type SAT | | Type TAC | | 3K3A1 - Type 3K | |
|----------------------------|------|---------------|--------|----------------------------|------|----------------------------|------|----------------------------|--------|
| Thermistor, temp coef. +ve | | Type LAN | | Thermistor, temp coef. -ve | | Thermistor, temp coef. -ve | | Thermistor, temp coef. -ve | |
| Temp°C | Ω | Temp°C | Ω | Temp°C | Ω | Temp°C | Ω | Temp°C | Ω |
| -50 | 743 | -50 | 790.8 | -50 | 9719 | 0 | 5085 | -50 | 200348 |
| -40 | 791 | -40 | 826.8 | -40 | 9584 | 5 | 4078 | -40 | 100701 |
| -30 | 842 | -30 | 871.7 | -30 | 9349 | 10 | 3294 | -30 | 53005 |
| -20 | 893 | -20 | 913.4 | -20 | 8968 | 15 | 2676 | -20 | 29092 |
| -15 | 946 | -15 | 934.7 | -15 | 8708 | 20 | 2188 | -15 | 21868 |
| -5 | | -10 | 956.2 | -10 | 8396 | 25 | 1800 | -10 | 16589 |
| 0 | 1000 | -5 | 978.0 | -5 | 8031 | 30 | 1488 | -5 | 12694 |
| 5 | | 0 | 1000.0 | 0 | 7614 | 35 | 1237 | 0 | 9795 |
| 10 | 1056 | 1 | 1004.4 | 1 | 7525 | 40 | 1034 | 1 | 9309 |
| 15 | | 2 | 1008.9 | 2 | 7434 | 50 | 740 | 2 | 8850 |
| 20 | 1112 | 3 | 1013.3 | 3 | 7341 | 60 | 540 | 3 | 8416 |
| 25 | | 4 | 1017.8 | 4 | 7246 | 70 | 400 | 4 | 8006 |
| 30 | 1171 | 5 | 1022.3 | 5 | 7150 | 80 | 300 | 5 | 7619 |
| 35 | | 6 | 1026.7 | 6 | 7053 | 90 | 230 | 6 | 7252 |
| 40 | 1230 | 7 | 1031.2 | 7 | 6954 | 100 | 180 | 7 | 6905 |
| 45 | | 8 | 1035.8 | 8 | 6853 | 110 | - | 8 | 6577 |
| 50 | 1291 | 9 | 1040.3 | 9 | 6752 | 120 | - | 9 | 6266 |
| 55 | | 10 | 1044.8 | 10 | 6649 | 130 | - | 10 | 5971 |
| 60 | 1353 | 11 | 1049.3 | 11 | 6545 | | | 11 | 5692 |
| 65 | | 12 | 1053.9 | 12 | 6440 | | | 12 | 5428 |
| 70 | 1417 | 13 | 1058.4 | 13 | 6334 | | | 13 | 5177 |
| 75 | | 14 | 1063.0 | 14 | 6228 | | | 14 | 4940 |
| 80 | 1483 | 15 | 1067.6 | 15 | 6121 | | | 15 | 4714 |
| 85 | | 16 | 1072.2 | 16 | 6013 | | | 16 | 4500 |
| 90 | 1549 | 17 | 1076.8 | 17 | 5905 | | | 17 | 4297 |
| 95 | | 18 | 1076.8 | 18 | 5786 | | | 18 | 4105 |
| 100 | 1618 | 19 | 1081.4 | 19 | 5684 | | | 19 | 3916 |
| 105 | | 20 | 1086.0 | 20 | 5580 | | | 20 | 3748 |
| 110 | 1688 | 21 | 1090.7 | 21 | 5471 | | | 21 | 3583 |
| 115 | | 22 | 1095.3 | 22 | 5362 | | | 22 | 3426 |
| 120 | 1760 | 23 | 1100.0 | 23 | 5254 | | | 23 | 3277 |
| 125 | | 24 | 1104.6 | 24 | 5147 | | | 24 | 3135 |
| 130 | 1833 | 25 | 1109.3 | 25 | 5039 | | | 25 | 3000 |
| 140 | 1909 | 26 | 1114.0 | 26 | 4933 | | | 26 | 2871 |
| 150 | 1987 | 27 | 1120.0 | 27 | 4827 | | | 27 | 2749 |
| 160 | 2066 | 28 | 1123.4 | 28 | 4721 | | | 28 | 2633 |
| 170 | 2148 | 29 | 1128.1 | 29 | 4617 | | | 29 | 2522 |
| 180 | 2232 | 30 | 1132.9 | 30 | 4513 | | | 30 | 2417 |
| 190 | - | 35 | 1137.6 | 35 | 4012 | | | 35 | 1959 |
| 200 | - | 40 | 1161.5 | 40 | 3545 | | | 40 | 1598 |
| 201 | - | 45 | 1185.7 | 45 | 3117 | | | 45 | 1310 |
| 202 | - | 50 | 1210.2 | 50 | 2730 | | | 50 | 1080 |
| 203 | - | 55 | 1235.0 | 55 | 2386 | | | 55 | 895.5 |
| 204 | - | 60 | 1260.1 | 60 | 2082 | | | 60 | 746.2 |
| 205 | - | 65 | 1285.4 | 65 | 1816 | | | 65 | 624.7 |
| | | 70 | 1311.1 | 70 | 1585 | | | 70 | 525.5 |
| | | 75 | 1337.1 | 75 | 1385 | | | 75 | 444.0 |
| | | 80 | 1363.5 | 80 | 1213 | | | 80 | 376.9 |
| | | 85 | 1390.1 | 85 | 1064 | | | 85 | 321.2 |
| | | 90 | 1417.1 | 90 | 937 | | | 90 | 274.8 |
| | | 95 | 1444.4 | 95 | 828 | | | 95 | 236.1 |
| | | 100 | 1472.0 | 100 | 734 | | | 100 | 203.6 |
| | | 105 | 1500.0 | 105 | 654 | | | 105 | 176.2 |
| | | 110 | 1528.3 | 110 | 585 | | | 110 | 153.0 |
| | | 115 | 1557.0 | 115 | 525 | | | 115 | 133.3 |
| | | 120 | 1586.0 | 120 | 474 | | | 120 | 116.6 |
| | | 125 | 1625.4 | 125 | 429 | | | 125 | 102.2 |
| | | 130 | - | 130 | 391 | | | 130 | 89.95 |
| | | 135 | - | 140 | 329 | | | 140 | 70.23 |
| | | 140 | - | 150 | 281 | | | 150 | 55.44 |
| | | 150 | - | 160 | - | | | 160 | - |
| | | 160 | - | 170 | - | | | 170 | - |
| | | 170 | - | 180 | - | | | 180 | - |
| | | 180 | - | 190 | - | | | 190 | - |
| | | 190 | - | 200 | - | | | 200 | - |

E.C. Products Limited - Head Office

EC House, Amberley Way, Hounslow
Middlesex, TW4 6BH, United Kingdom

Tel: +44 (0)20 8569 4100 Fax: +44 (0)20 8569 4111



Ceiling Temperature Sensors TE-DTF

Thermistor Temperature Range (continued)

| 30K6A1 - Type D | | 50K6A1 - Type P | | 100K6A1 - Type Y | | Type SIE | |
|----------------------------|--------|----------------------------|--------|----------------------------|--------|----------------------------|-------|
| Thermistor, temp coef. -ve | | Thermistor, temp coef. -ve | | Thermistor, temp coef. -ve | | Thermistor, temp coef. -ve | |
| Temp°C | Ω | Temp°C | Ω | Temp°C | Ω | Temp°C | Ω |
| -50 | 2497K | -50 | 4168K | -50 | 8337K | -50 | 10732 |
| -40 | 1219K | -40 | 2033K | -40 | 4067K | -40 | 10517 |
| -30 | 622911 | -30 | 1038K | -30 | 2077K | -30 | 10172 |
| -20 | 331876 | -20 | 553243 | -20 | 1106K | -20 | 9654 |
| -15 | 245785 | -15 | 409689 | -15 | 819378 | -15 | 9320 |
| -10 | 183697 | -10 | 306183 | -10 | 612366 | -10 | 8933 |
| -5 | 138502 | -5 | 230842 | -5 | 461683 | -5 | 8496 |
| 0 | 105305 | 0 | 175508 | 0 | 351017 | 0 | 8044 |
| 1 | 99787 | 1 | 166310 | 1 | 332619 | 1 | 7910 |
| 2 | 94588 | 2 | 157644 | 2 | 315288 | 2 | 7807 |
| 3 | 89689 | 3 | 149480 | 3 | 298959 | 3 | 7702 |
| 4 | 85069 | 4 | 141779 | 4 | 283558 | 4 | 7596 |
| 5 | 80713 | 5 | 134521 | 5 | 269041 | 5 | 7489 |
| 6 | 76604 | 6 | 127669 | 6 | 255337 | 6 | 7381 |
| 7 | 72726 | 7 | 121207 | 7 | 242414 | 7 | 7271 |
| 8 | 69064 | 8 | 115105 | 8 | 230210 | 8 | 7161 |
| 9 | 65608 | 9 | 109344 | 9 | 218688 | 9 | 7050 |
| 10 | 62347 | 10 | 103903 | 10 | 207807 | 10 | 6938 |
| 11 | 59257 | 11 | 98761 | 11 | 197521 | 11 | 6825 |
| 12 | 56346 | 12 | 93901 | 12 | 187803 | 12 | 6712 |
| 13 | 53585 | 13 | 89307 | 13 | 178613 | 13 | 6598 |
| 14 | 50978 | 14 | 84962 | 14 | 169924 | 14 | 6485 |
| 15 | 48511 | 15 | 80851 | 15 | 161702 | 15 | 6370 |
| 16 | 46178 | 16 | 76961 | 16 | 153923 | 16 | 6256 |
| 17 | 43969 | 17 | 73280 | 17 | 146560 | 17 | 6141 |
| 18 | 41877 | 18 | 69794 | 18 | 139588 | 18 | 6028 |
| 19 | 39895 | 19 | 66492 | 19 | 132984 | 19 | 5913 |
| 20 | 38019 | 20 | 63364 | 20 | 126729 | 20 | 5798 |
| 21 | 36240 | 21 | 60400 | 21 | 120799 | 21 | 5686 |
| 22 | 34554 | 22 | 57589 | 22 | 115179 | 22 | 5573 |
| 23 | 32955 | 23 | 54925 | 23 | 109850 | 23 | 5461 |
| 24 | 31438 | 24 | 52398 | 24 | 104796 | 24 | 5349 |
| 25 | 30000 | 25 | 50000 | 25 | 100000 | 25 | 5238 |
| 26 | 28635 | 26 | 47724 | 26 | 95449 | 26 | 5128 |
| 27 | 27339 | 27 | 45564 | 27 | 91128 | 27 | 5019 |
| 28 | 26108 | 28 | 43513 | 28 | 87026 | 28 | 4910 |
| 29 | 24939 | 29 | 41565 | 29 | 83129 | 29 | 4803 |
| 30 | 23828 | 30 | 39714 | 30 | 79428 | 30 | 4696 |
| 35 | 19046 | 35 | 31744 | 35 | 63489 | 35 | 4185 |
| 40 | 15317 | 40 | 25529 | 40 | 51058 | 40 | 3707 |
| 45 | 12390 | 45 | 20650 | 45 | 41301 | 45 | 3271 |
| 50 | 10079 | 50 | 16799 | 50 | 33598 | 50 | 2875 |
| 55 | 8243 | 55 | 13740 | 55 | 27479 | 55 | 2521 |
| 60 | 6777 | 60 | 11297 | 60 | 22593 | 60 | 2206 |
| 65 | 5600 | 65 | 9334 | 65 | 18669 | 65 | 1929 |
| 70 | 4650 | 70 | 7751 | 70 | 15502 | 70 | 1685 |
| 75 | 3879 | 75 | 6466 | 75 | 12932 | 75 | 1472 |
| 80 | 3251 | 80 | 5419 | 80 | 10837 | 80 | 1287 |
| 85 | 2737 | 85 | 4560 | 85 | 9121 | 85 | 1127 |
| 90 | 2313 | 90 | 3855 | 90 | 7710 | 90 | 986 |
| 95 | 1963 | 95 | 3271 | 95 | 6543 | 95 | 866 |
| 100 | 1672 | 100 | 2787 | 100 | 5574 | 100 | 760 |
| 105 | 1430 | 105 | 2384 | 105 | 4767 | 105 | 670 |
| 110 | 1228 | 110 | 2046 | 110 | 4092 | 110 | 590 |
| 115 | 1058 | 115 | 1762 | 115 | 3525 | 115 | 522 |
| 120 | 914.6 | 120 | 1523 | 120 | 3047 | 120 | 462 |
| 125 | 793.2 | 125 | 1321 | 125 | 2642 | 125 | 410 |
| 130 | 690.2 | 130 | 1149 | 130 | 2299 | 130 | 365 |
| 140 | 527.4 | 140 | 878.2 | 140 | 1756 | 140 | 290 |
| 150 | 407.7 | 150 | 678.8 | 150 | 1357 | 150 | 233 |
| 160 | - | 160 | - | 160 | - | 160 | - |
| 170 | - | 170 | - | 170 | - | 170 | - |
| 180 | - | 180 | - | 180 | - | 180 | - |
| 190 | - | 190 | - | 190 | - | 190 | - |
| 200 | - | 200 | - | 200 | - | 200 | - |

E.C. Products Limited - Head Office

EC House, Amberley Way, Hounslow
Middlesex, TW4 6BH, United Kingdom

Tel: +44 (0)20 8569 4100 Fax: +44 (0)20 8569 4111