

ACTUATOR SERIES 90 2-POINT

ESBE actuator Series 90 for operating ESBE mixing valves DN 15–150. This series is provided with adjustable cam discs to obtain an operating range 30°–180° which make the series very flexible.

OPERATION

The ESBE series 90 actuator is a compact actuator for operating rotary mixing valves. The actuator is reversible and is provided with limit switches which are actuated by cam discs. By adjusting the cam discs an operating range from 30° to 180° can be obtained. The actuator is provided with a disconnection for manual operation and has an indication on the front showing valve position.

The 2-point signal control actuator is available for 230 V, 50 Hz with different running times as shown in the table.

An 2-point signal control actuator with built-in relay should be selected when the actuator is to be controlled by an on/off-thermostat.



2-point

SUITABLE MIXING VALVES

The actuator is supplied complete with an adaptor kit for easily fitting onto an ESBE rotary mixing valve.

- Series VRG100*
- Series G
- Series VRG200*
- Series F
- Series VRG300*
- Series BIV
- Series VRB100*
- Series T, TM
- Series MG
- Series H and HG

*Separate adaptor kit is required, see below

LINKAGE KITS

Required adaptor kits for easily fitting onto an ESBE rotary mixing valve is available in two different styles. Adaptor kit designed for ESBE mixing valve series MG, G, F, BIV, H, HG is supplied with each actuator. Adaptor kits for ESBE mixing valve series VRG and VRB can be ordered separately.

Art. No.

1605 13 00 (= supplied with actuator)

_____ ESBE valve series MG, G, F, BIV, T, TM, H, HG

1605 33 00 _____ ESBE valve series VRG, VRB

Adaptor kits for other mixing valves and valves built-into boilers are available as follows:

Art. No.

1605 35 00 _____ BRV

1605 16 00 _____ Centra ZR, DR, DRG, DRU (≤DN50)

1605 17 00 _____ Centra Kompakt DRK/ZRK

1605 19 00 _____ CTC, linear movement

1605 36 00 _____ BRV, Meibes, Oventrop, Watts

1605 13 00 _____ Sauter MH32...H42...

1605 25 00 _____ Siemens VBG31, VBI31, VBF21, VCI31

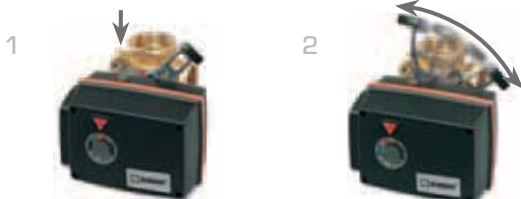
1605 14 00 _____ TA-VTR, TA-STM

1605 26 00 _____ Schneider Electric/TAC-TRV

1605 15 00 _____ Viessmann (all nominal diameters)

1605 18 00 _____ WITA

1605 20–24 00 _ Various adaptor kits for built-in mixing valves



1 To operate the valve manually, push the button and use the lever. The electric current is automatically disconnected as long as the button is in the lower position.



2 Turn the valve to the desired position.



3 To return to automatic operation, bring the lever to the position where it locks, and the button returns to the upper position. The current supply is now connected.

TECHNICAL DATA

Ambient temperature: _____ max. +55°C

_____ min. -15°C

Power supply: _____ 230 ± 10% VAC, 50 Hz

Power consumption: _____ 5 VA

Enclosure rating: _____ IP 54

Protection class: _____ II

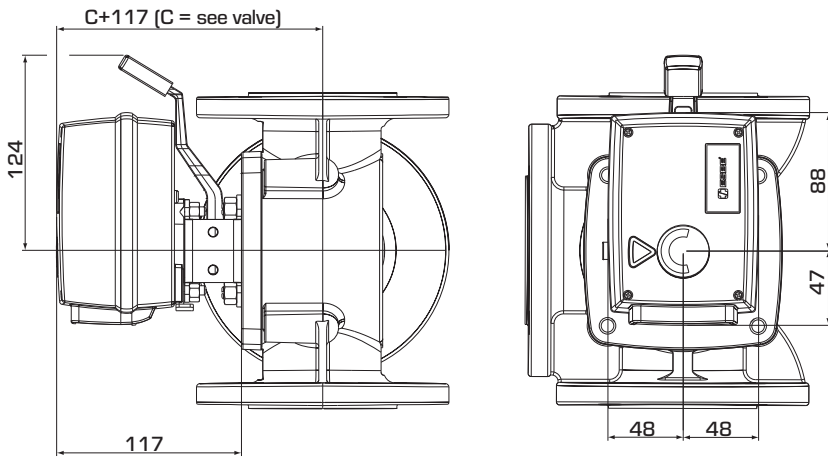
Torque: _____ See table

Rating auxiliary switch: _____ 6(3)A 250 VAC

Weight: _____ 0.8 kg

CE LVD 2006/95/EC
EMC 2004/108/EC
RoHS 2002/95/EC

ACTUATOR SERIES 90 2-POINT



Installation dimensions for Actuator Series 90 with ESBE series MG, G, F, T/TM, H/HG and BIV mixing valves

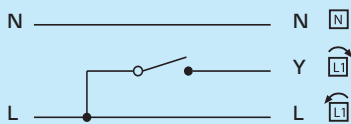
SERIES 90, 2-POINT 230 V AC

Art. No.	Reference	Voltage [V AC]	Running time 90° [s]	Torque [Nm]	Control signal*	Remark
1205 25 00	97	230	15	5	2-point SPST	With built-in relay
1205 26 00	98		60	15		

*2-point SPST = Single Pole Single Throw

WIRING

The actuator should be preceded by a multi-pole contact breaker in the fixed installation.



Actuator with built-in relay, Art. No. 1205 25 00, 1205 26 00

The direction of rotation is changed by a contact located under the cover.