

Strap-on/Cylinder Thermostat WRP90GD

Description

The WRP90GD is a thermostat suitable for mounting on pipes or cylinders. The unit has an exposed setpoint adjustment knob and comes complete fixing strap for mounting the unit and ensuring good surface contact.

Features

- SPDT Contacts
- Complete with fixing Strap



Technical Specification

Temperature Range: 10...90°C

Differential: 5°C

Contact Rating: 15(2.5)A @ 250Vac SPDT

Protection: IP20

Wiring

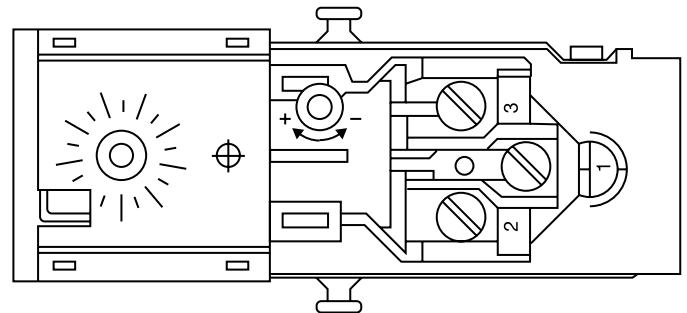
Terminal 1: Common connection

Terminal 2: Contact opens with increasing temperature

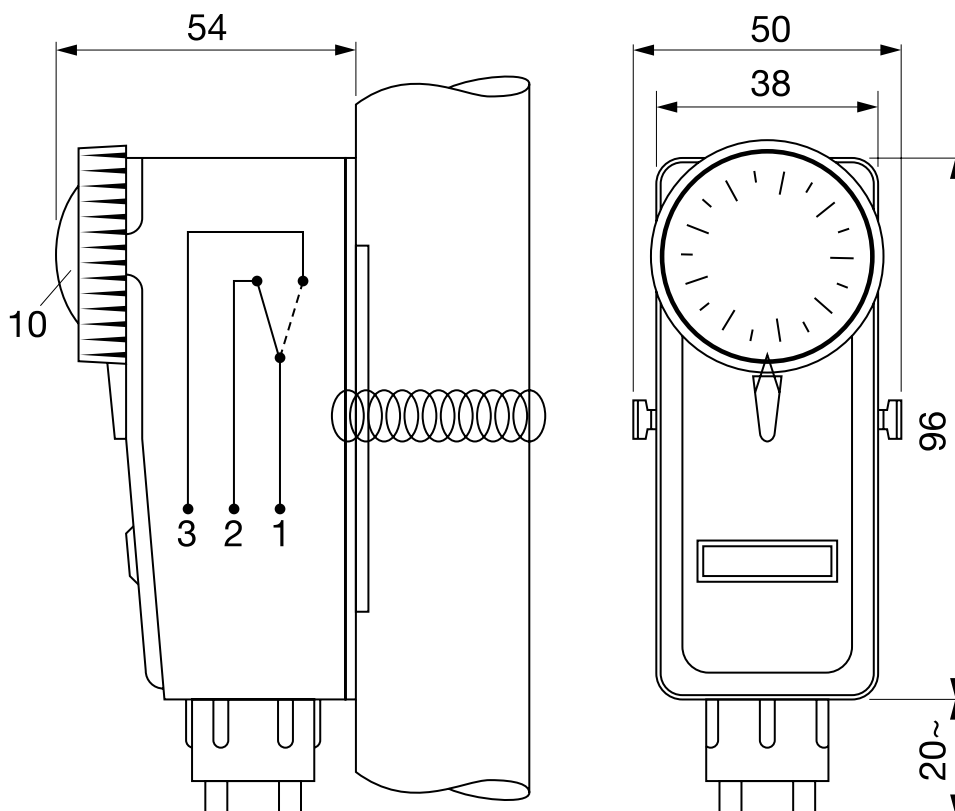
Terminal 3: Contact closes with increasing temperature

Order Code

WRP90GD Strap-on/Cylinder Thermostat



Dimensions



E.C. Products Limited - Head Office

EC House, Amberley Way, Hounslow
Middlesex, TW4 6BH, United Kingdom

Tel: +44 (0)20 8569 4100 Fax: +44 (0)20 8569 4111