

Description

XB2 series rotary selector switches are used in the control of electrical circuits. A choice of panel mounting bezel is available as well as long or short handles, key operated and 2/3 way versions. Illuminated versions in a choice of colours can also be supplied.

Features

- Key operated versions
- Metal or plastic bezel
- 2 or 3 way versions
- Illuminated Versions



Technical Specification

Rated Insulation Voltage: 660V

Operating Temperature: -5...+40°C

Operating Humidity: 45...85% RH

Contact Rating: 10(6)A @ 400V

Electrical Life: 50 x 10⁵ operations

Protection: IP40

Order Codes






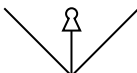
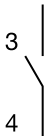
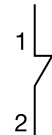
XB2-BD21	2 position NO stay put rotary switch - metal bezel
XB2-BD25	2 position NO + NC stay put rotary switch - metal bezel
XB2-BD33	3 position NO + NO stay put rotary switch - metal bezel
XB2-BJ21	2 position NO stay put rotary switch - metal bezel, long handle
XB2-BJ25	2 position NO + NC stay put rotary switch - metal bezel, long handle
XB2-BJ33	3 position NO + NO stay put rotary switch - metal bezel, long handle
XB2-BG21	2 position NO stay put rotary switch - metal bezel, key operated
XB2-BG25	2 position NO + NC stay put rotary switch - metal bezel, key operated
XB2-BG33	3 position NO + NO stay put rotary switch - metal bezel, key operated
XB2-ED21	2 position NO stay put rotary switch - plastic bezel
XB2-ED25	2 position NO + NC stay put rotary switch - plastic bezel
XB2-ED33	3 position NO + NO stay put rotary switch - plastic bezel
XB2-EG21	2 position NO stay put rotary switch - plastic bezel, key operated
XB2-EG25	2 position NO + NC stay put rotary switch - plastic bezel, key operated
XB2-EG33	3 position NO + NO stay put rotary switch - plastic bezel, key operated
XB2-BK21	2 position NO + NC stay put 24V LED illuminated rotary switch white - metal bezel
XB2-BK23	2 position NO + NC stay put 24V LED illuminated rotary switch green - metal bezel
XB2-BK24	2 position NO + NC stay put 24V LED illuminated rotary switch red - metal bezel
XB2-BK25	2 position NO + NC stay put 24V LED illuminated rotary switch yellow - metal bezel
XB2-BK26	2 position NO + NC stay put 24V LED illuminated rotary switch blue - metal bezel
XB2-BK31	3 position NO + NC stay put 24V LED illuminated rotary switch white - metal bezel
XB2-BK33	3 position NO + NC stay put 24V LED illuminated rotary switch green - metal bezel
XB2-BK34	3 position NO + NC stay put 24V LED illuminated rotary switch red - metal bezel
XB2-BK35	3 position NO + NC stay put 24V LED illuminated rotary switch yellow - metal bezel
XB2-BK36	3 position NO + NC stay put 24V LED illuminated rotary switch blue - metal bezel

E.C. Products Limited - Head Office

EC House, Amberley Way, Hounslow
Middlesex, TW4 6BH, United Kingdom

Tel: +44 (0)20 8569 4100 Fax: +44 (0)20 8569 4111

Circuits

XB2-xD21	N/O	
XB2-xD25	N/O + N/C	
XB2-xD33	N/O + N/O	
XB2-xG21	N/O	
XB2-xG25	N/O + N/O	
XB2-xG33	N/O + N/O	
ZB2-BE10	N/O	
ZB2-BE102	N/C	

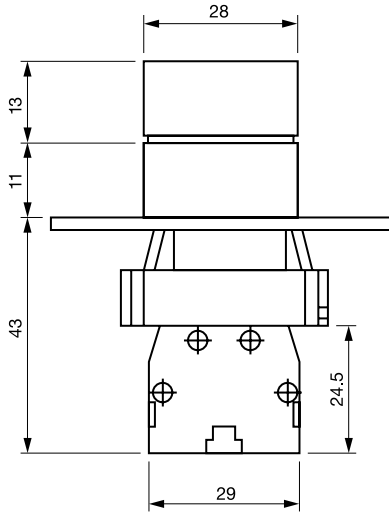
E.C. Products Limited - Head Office

EC House, Amberley Way, Hounslow
Middlesex, TW4 6BH, United Kingdom

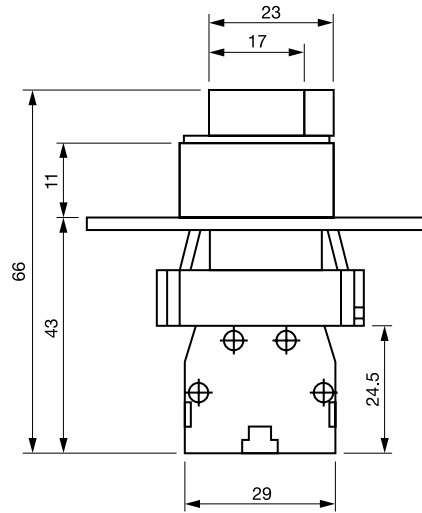
Tel: +44 (0)20 8569 4100 Fax: +44 (0)20 8569 4111

Dimensions

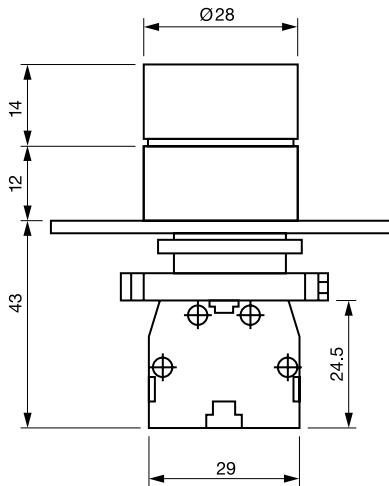
XB2-BDx



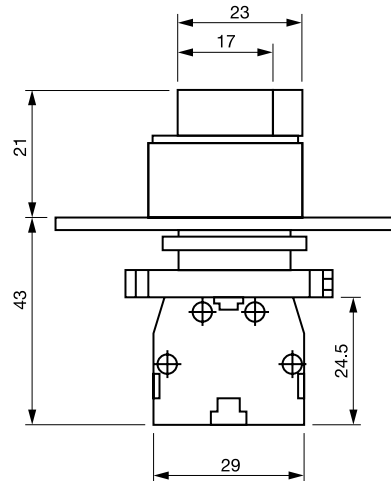
XB2-BGx



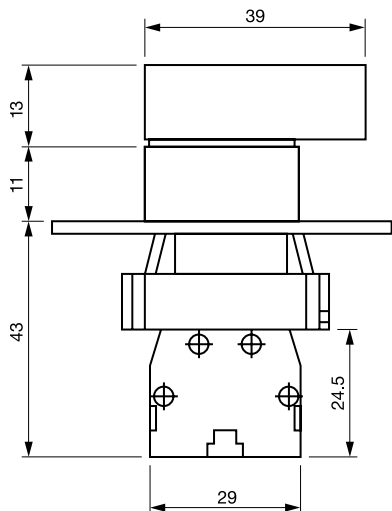
XB2-EDx



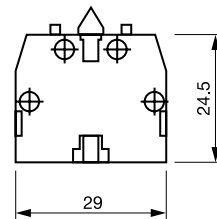
XB2-EGx



XB2-BJx



ZB2-BE



E.C. Products Limited - Head Office

EC House, Amberley Way, Hounslow
Middlesex, TW4 6BH, United Kingdom

Tel: +44 (0)20 8569 4100 Fax: +44 (0)20 8569 4111