

Description

XB2 series rotary selector switches are used in the control of electrical circuits. A choice of panel mounting bezel is available as well as long or short handles, key operated and 2/3 way versions. Illuminated versions in a choice of colours can also be supplied.

Features

- Key operated versions
- Metal or plastic bezel
- 2 or 3 way versions
- Illuminated Versions



Technical Specification

Rated Insulation Voltage: 660V

Operating Temperature: -5...+40°C

Operating Humidity: 45...85% RH

Contact Rating: 10(6)A @ 400V

Electrical Life: 50 x 10⁵ operations

Protection: IP40

Order Codes

| | |
|-----------------|--|
| XB2-BD21 | 2 position NO stay put rotary switch - metal bezel |
| XB2-BD25 | 2 position NO + NC stay put rotary switch - metal bezel |
| XB2-BD33 | 3 position NO + NO stay put rotary switch - metal bezel |
| XB2-BJ21 | 2 position NO stay put rotary switch - metal bezel, long handle |
| XB2-BJ25 | 2 position NO + NC stay put rotary switch - metal bezel, long handle |
| XB2-BJ33 | 3 position NO + NO stay put rotary switch - metal bezel, long handle |
| XB2-BG21 | 2 position NO stay put rotary switch - metal bezel, key operated |
| XB2-BG25 | 2 position NO + NC stay put rotary switch - metal bezel, key operated |
| XB2-BG33 | 3 position NO + NO stay put rotary switch - metal bezel, key operated |
| XB2-ED21 | 2 position NO stay put rotary switch - plastic bezel |
| XB2-ED25 | 2 position NO + NC stay put rotary switch - plastic bezel |
| XB2-ED33 | 3 position NO + NO stay put rotary switch - plastic bezel |
| XB2-EG21 | 2 position NO stay put rotary switch - plastic bezel, key operated |
| XB2-EG25 | 2 position NO + NC stay put rotary switch - plastic bezel, key operated |
| XB2-EG33 | 3 position NO + NO stay put rotary switch - plastic bezel, key operated |
| XB2-BK21 | 2 position NO + NC stay put 24V LED illuminated rotary switch white - metal bezel |
| XB2-BK23 | 2 position NO + NC stay put 24V LED illuminated rotary switch green - metal bezel |
| XB2-BK24 | 2 position NO + NC stay put 24V LED illuminated rotary switch red - metal bezel |
| XB2-BK25 | 2 position NO + NC stay put 24V LED illuminated rotary switch yellow - metal bezel |
| XB2-BK26 | 2 position NO + NC stay put 24V LED illuminated rotary switch blue - metal bezel |
| XB2-BK31 | 3 position NO + NC stay put 24V LED illuminated rotary switch white - metal bezel |
| XB2-BK33 | 3 position NO + NC stay put 24V LED illuminated rotary switch green - metal bezel |
| XB2-BK34 | 3 position NO + NC stay put 24V LED illuminated rotary switch red - metal bezel |
| XB2-BK35 | 3 position NO + NC stay put 24V LED illuminated rotary switch yellow - metal bezel |
| XB2-BK36 | 3 position NO + NC stay put 24V LED illuminated rotary switch blue - metal bezel |

E.C. Products Limited - Head Office

EC House, Amberley Way, Hounslow
Middlesex, TW4 6BH, United Kingdom

Tel: +44 (0)20 8569 4100 Fax: +44 (0)20 8569 4111



Selector Switches XB2-x

Circuits

| | | |
|-----------|-----------|--|
| XB2-xD21 | N/O | |
| XB2-xD25 | N/O + N/C | |
| XB2-xD33 | N/O + N/O | |
| XB2-xG21 | N/O | |
| XB2-xG25 | N/O + N/O | |
| XB2-xG33 | N/O + N/O | |
| ZB2-BE10 | N/O | |
| ZB2-BE102 | N/C | |

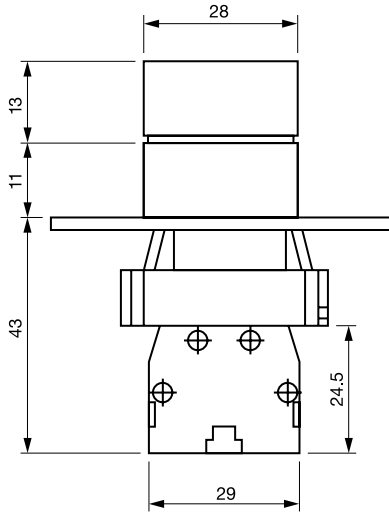
E.C. Products Limited - Head Office

EC House, Amberley Way, Hounslow
Middlesex, TW4 6BH, United Kingdom

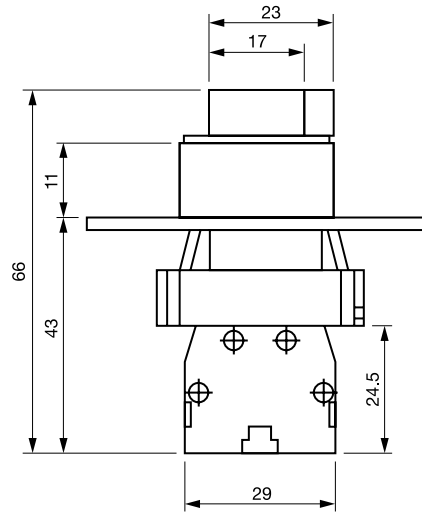
Tel: +44 (0)20 8569 4100 Fax: +44 (0)20 8569 4111

Dimensions

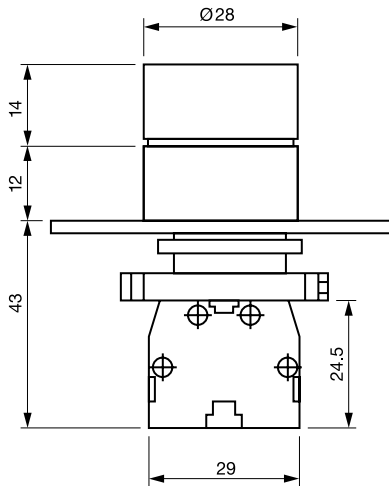
XB2-BDx



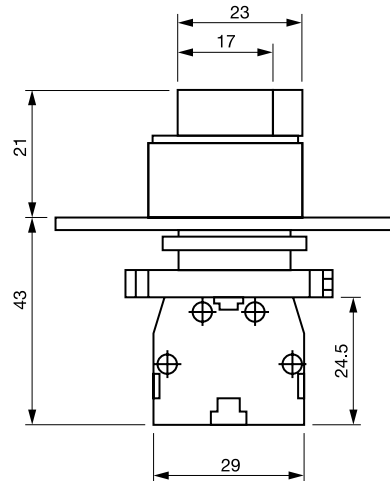
XB2-BGx



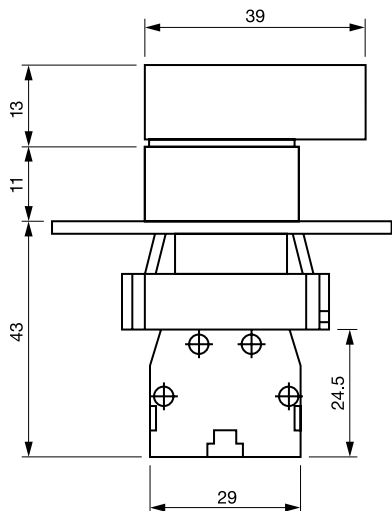
XB2-EDx



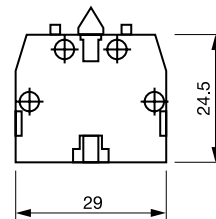
XB2-EGx



XB2-BJx



ZB2-BE



E.C. Products Limited - Head Office

EC House, Amberley Way, Hounslow
Middlesex, TW4 6BH, United Kingdom

Tel: +44 (0)20 8569 4100 Fax: +44 (0)20 8569 4111