

Pushbutton Switches IP66 XB2-BP

Description

XB2-BP series pushbuttons are used in the control of electrical circuits. A choice of colours is available and the units are supplied with a waterproof boot giving IP66 protection.

Features

- Choice of colours
- IP66 Protection



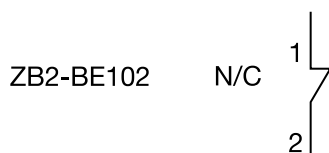
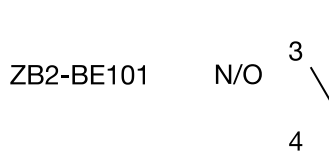
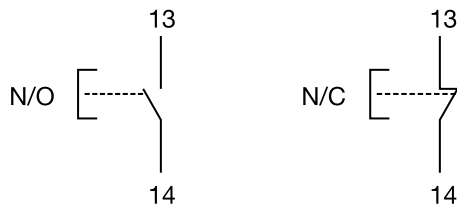
Technical Specification

Rated Insulation Voltage:	660V
Operating Temperature:	-5...+40°C
Operating Humidity:	45...85% RH
Contact Rating:	10(6)A @ 400V
Electrical Life:	50 x 10 ⁵ operations
Protection:	IP66

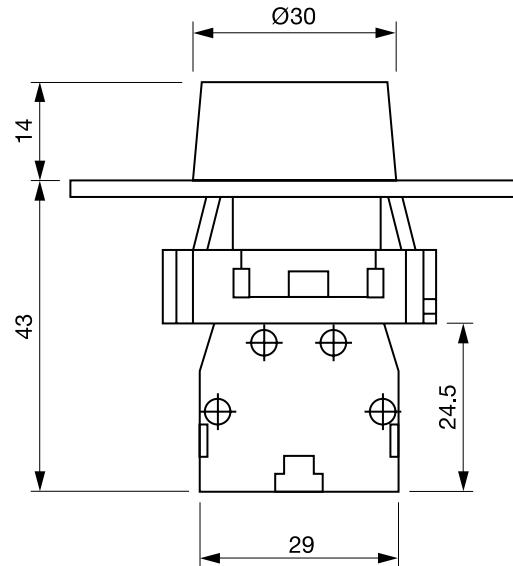
Order Codes

XB2-BP21	Normally open pushbutton black - IP66
XB2-BP31	Normally open pushbutton green - IP66
XB2-BP42	Normally closed pushbutton red - IP66
XB2-BP51	Normally open pushbutton yellow - IP66
XB2-BP61	Normally open pushbutton blue - IP66
ZB2-BE101	Normally Open Contact Block
ZB2-BE102	Normally Closed Contact Block

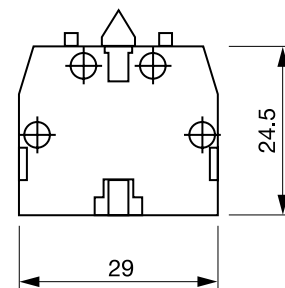
Circuits



Dimensions



ZB2-BE



E.C. Products Limited - Head Office

EC House, Amberley Way, Hounslow
Middlesex, TW4 6BH, United Kingdom

Tel: +44 (0)20 8569 4100 Fax: +44 (0)20 8569 4111