

Pushbutton Switches IP66 XB2-BP

Description

XB2-BP series pushbuttons are used in the control of electrical circuits. A choice of colours is available and the units are supplied with a waterproof boot giving IP66 protection.

Features

- Choice of colours
- IP66 Protection



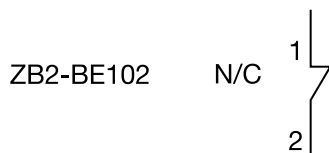
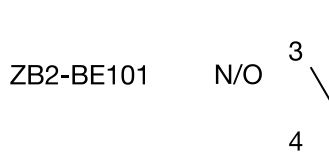
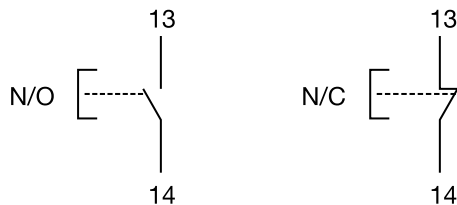
Technical Specification

| | |
|---------------------------|---------------------------------|
| Rated Insulation Voltage: | 660V |
| Operating Temperature: | -5...+40°C |
| Operating Humidity: | 45...85% RH |
| Contact Rating: | 10(6)A @ 400V |
| Electrical Life: | 50 x 10 ⁵ operations |
| Protection: | IP66 |

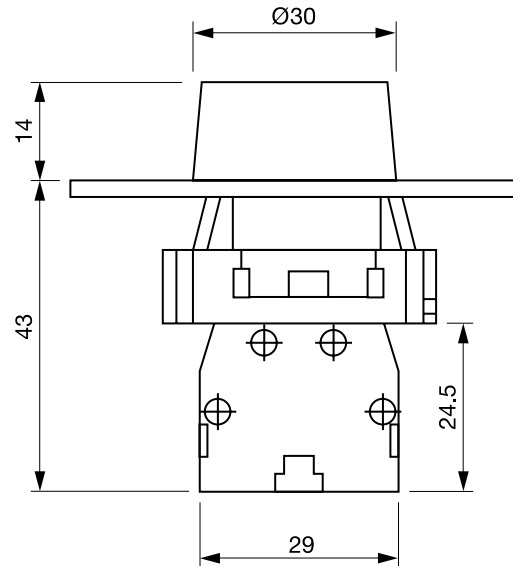
Order Codes

| | |
|-----------|--|
| XB2-BP21 | Normally open pushbutton black - IP66 |
| XB2-BP31 | Normally open pushbutton green - IP66 |
| XB2-BP42 | Normally closed pushbutton red - IP66 |
| XB2-BP51 | Normally open pushbutton yellow - IP66 |
| XB2-BP61 | Normally open pushbutton blue - IP66 |
| ZB2-BE101 | Normally Open Contact Block |
| ZB2-BE102 | Normally Closed Contact Block |

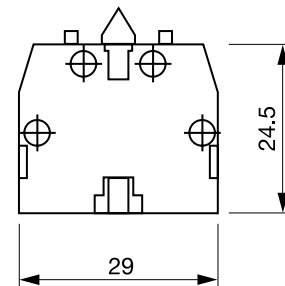
Circuits



Dimensions



ZB2-BE



E.C. Products Limited - Head Office

EC House, Amberley Way, Hounslow
Middlesex, TW4 6BH, United Kingdom

Tel: +44 (0)20 8569 4100 Fax: +44 (0)20 8569 4111