

Mushroom Head Pushbutton Switches XB2-BSx

Description

XB2-BS series pushbuttons are used in the control of electrical circuits. Units are supplied in a choice of 40mm diameter mushroom head with turn to release or key to release mechanism.

Features

- 40mm diameter mushroom head
- Turn or key to release versions



Technical Specification

Rated Insulation Voltage: 660V

Operating Temperature: -5...+40°C

Operating Humidity: 45...85% RH

Contact Rating: 10(6)A @ 400V

Electrical Life: 50 x 10⁵ operations

Protection: IP40

Order Codes

XB2-BS542 Mushroom head pushbutton, turn to release, normally closed

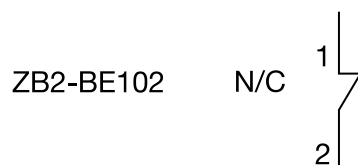
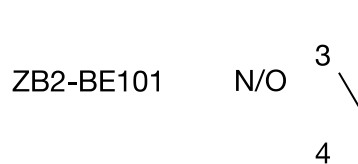
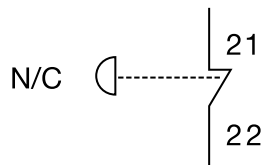
XB2-BS142 Mushroom head pushbutton, key to release, normally closed

XB2-ER60 60mm diameter Emergency Stop warning circle

ZB2-BE101 Normally Open Contact Block

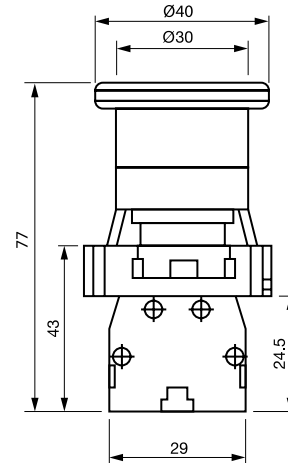
ZB2-BE102 Normally Closed Contact Block

Circuits

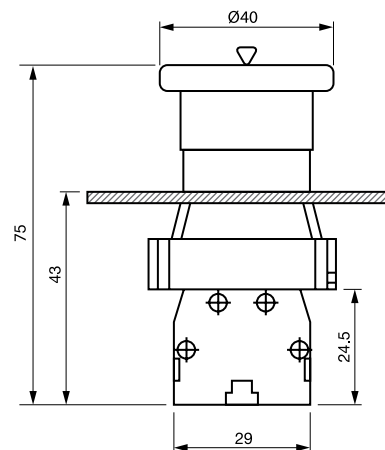


Dimensions

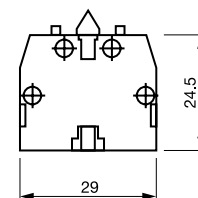
XB2-BS542



XB2-BS142



ZB2-BE



E.C. Products Limited - Head Office

EC House, Amberley Way, Hounslow
Middlesex, TW4 6BH, United Kingdom

Tel: +44 (0)20 8569 4100 Fax: +44 (0)20 8569 4111