

Illuminated Pushbutton Switches XB2-xW

Description

XB2 series illuminated pushbuttons are used in the control of electrical circuits. A choice of panel mounting bezel and colours is available as well as different combinations of contact block. Illuminated versions use LEDs for long life.

Features

- Choice of colours
- Choice of bezel
- LED Illumination



Technical Specification

Rated Insulation Voltage: 660V

Operating Temperature: -5...+40°C

Operating Humidity: 45...85% RH

Contact Rating: 10(6)A @ 400V

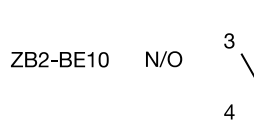
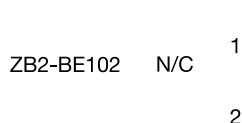
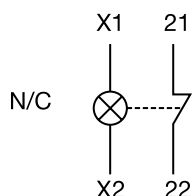
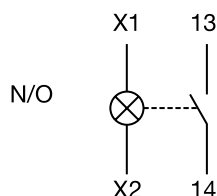
Electrical Life: 50 x 10⁵ operations

Protection: IP40

Order Codes

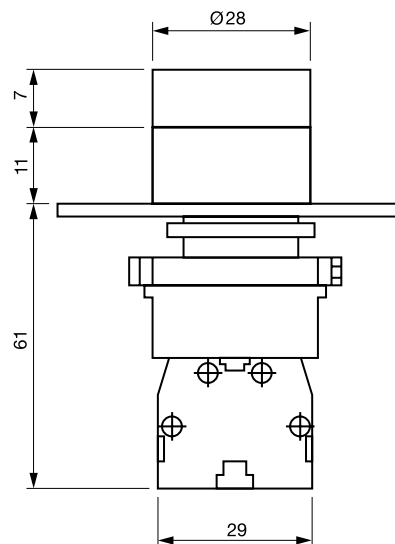
XB2-BW11	Normally open 24V LED illuminated, pushbutton white - metal bezel
XB2-BW31	Normally open 24V LED illuminated, pushbutton green - metal bezel
XB2-BW42	Normally closed 24V LED illuminated, pushbutton red - metal bezel
XB2-BW51	Normally open 24V LED illuminated, pushbutton yellow - metal bezel
XB2-BW61	Normally open 24V LED illuminated, pushbutton blue - metal bezel
XB2-EW11	Normally open 24V LED illuminated, pushbutton white - plastic bezel
XB2-EW31	Normally open 24V LED illuminated, pushbutton green - plastic bezel
XB2-EW42	Normally closed 24V LED illuminated pushbutton red - plastic bezel
XB2-EW51	Normally open 24V LED illuminated, pushbutton yellow - plastic bezel
XB2-EW61	Normally open 24V LED illuminated, pushbutton blue - plastic bezel
ZB2-BE101	Normally Open Contact Block
ZB2-BE102	Normally Closed Contact Block

Circuits

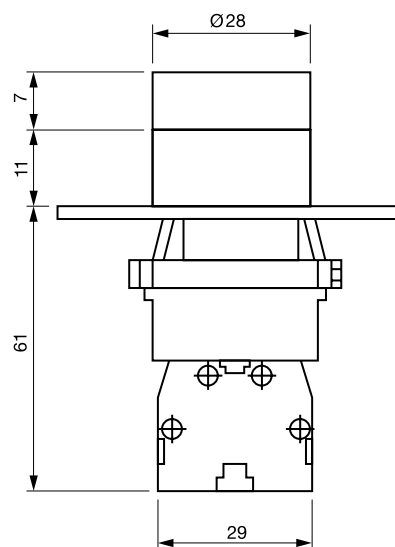


Installation

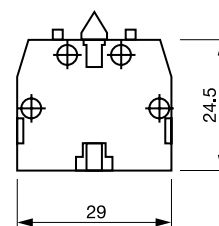
XB2-EWx



XB2-BWx



ZB2-BE



E.C. Products Limited - Head Office

EC House, Amberley Way, Hounslow
Middlesex, TW4 6BH, United Kingdom

Tel: +44 (0)20 8569 4100 Fax: +44 (0)20 8569 4111