

## Description

XB2 series rotary selector switches are used in the control of electrical circuits. A choice of panel mounting bezel is available as well as long or short handles, key operated and 2/3 way versions. Illuminated versions in a choice of colours can also be supplied.

## Features

- Key operated versions
- Metal or plastic bezel
- 2 or 3 way versions
- Illuminated Versions



## Technical Specification

**Rated Insulation Voltage:** 660V

**Operating Temperature:** -5...+40°C

**Operating Humidity:** 45...85% RH

**Contact Rating:** 10(6)A @ 400V

**Electrical Life:** 50 x 10<sup>5</sup> operations

**Protection:** IP40

## Order Codes






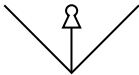
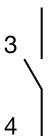
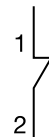
|                 |  |
|-----------------|--|
| <b>XB2-BD21</b> | 2 position NO stay put rotary switch - metal bezel                                 |
| <b>XB2-BD25</b> | 2 position NO + NC stay put rotary switch - metal bezel                            |
| <b>XB2-BD33</b> | 3 position NO + NO stay put rotary switch - metal bezel                            |
| <b>XB2-BJ21</b> | 2 position NO stay put rotary switch - metal bezel, long handle                    |
| <b>XB2-BJ25</b> | 2 position NO + NC stay put rotary switch - metal bezel, long handle               |
| <b>XB2-BJ33</b> | 3 position NO + NO stay put rotary switch - metal bezel, long handle               |
| <b>XB2-BG21</b> | 2 position NO stay put rotary switch - metal bezel, key operated                   |
| <b>XB2-BG25</b> | 2 position NO + NC stay put rotary switch - metal bezel, key operated              |
| <b>XB2-BG33</b> | 3 position NO + NO stay put rotary switch - metal bezel, key operated              |
| <b>XB2-ED21</b> | 2 position NO stay put rotary switch - plastic bezel                               |
| <b>XB2-ED25</b> | 2 position NO + NC stay put rotary switch - plastic bezel                          |
| <b>XB2-ED33</b> | 3 position NO + NO stay put rotary switch - plastic bezel                          |
| <b>XB2-EG21</b> | 2 position NO stay put rotary switch - plastic bezel, key operated                 |
| <b>XB2-EG25</b> | 2 position NO + NC stay put rotary switch - plastic bezel, key operated            |
| <b>XB2-EG33</b> | 3 position NO + NO stay put rotary switch - plastic bezel, key operated            |
| <b>XB2-BK21</b> | 2 position NO + NC stay put 24V LED illuminated rotary switch white - metal bezel  |
| <b>XB2-BK23</b> | 2 position NO + NC stay put 24V LED illuminated rotary switch green - metal bezel  |
| <b>XB2-BK24</b> | 2 position NO + NC stay put 24V LED illuminated rotary switch red - metal bezel    |
| <b>XB2-BK25</b> | 2 position NO + NC stay put 24V LED illuminated rotary switch yellow - metal bezel |
| <b>XB2-BK26</b> | 2 position NO + NC stay put 24V LED illuminated rotary switch blue - metal bezel   |
| <b>XB2-BK31</b> | 3 position NO + NC stay put 24V LED illuminated rotary switch white - metal bezel  |
| <b>XB2-BK33</b> | 3 position NO + NC stay put 24V LED illuminated rotary switch green - metal bezel  |
| <b>XB2-BK34</b> | 3 position NO + NC stay put 24V LED illuminated rotary switch red - metal bezel    |
| <b>XB2-BK35</b> | 3 position NO + NC stay put 24V LED illuminated rotary switch yellow - metal bezel |
| <b>XB2-BK36</b> | 3 position NO + NC stay put 24V LED illuminated rotary switch blue - metal bezel   |

### E.C. Products Limited - Head Office

EC House, Amberley Way, Hounslow  
Middlesex, TW4 6BH, United Kingdom

Tel: +44 (0)20 8569 4100 Fax: +44 (0)20 8569 4111

## Circuits

|           |           |   |
|-----------|-----------|---|
| XB2-xD21  | N/O       |    |
| XB2-xD25  | N/O + N/C |    |
| XB2-xD33  | N/O + N/O |    |
| XB2-xG21  | N/O       |    |
| XB2-xG25  | N/O + N/O |    |
| XB2-xG33  | N/O + N/O |  |
| ZB2-BE10  | N/O       |  |
| ZB2-BE102 | N/C       |  |

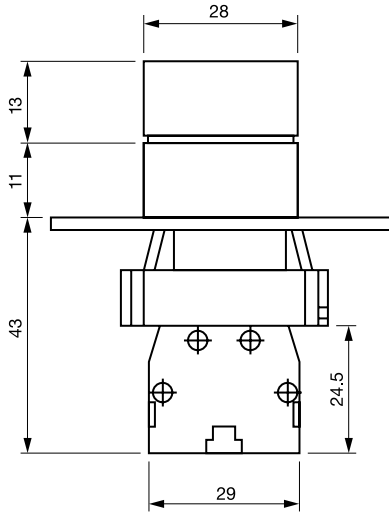
### E.C. Products Limited - Head Office

EC House, Amberley Way, Hounslow  
Middlesex, TW4 6BH, United Kingdom

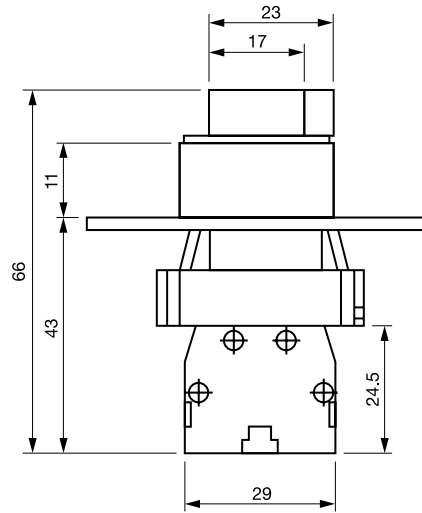
Tel: +44 (0)20 8569 4100 Fax: +44 (0)20 8569 4111

## Dimensions

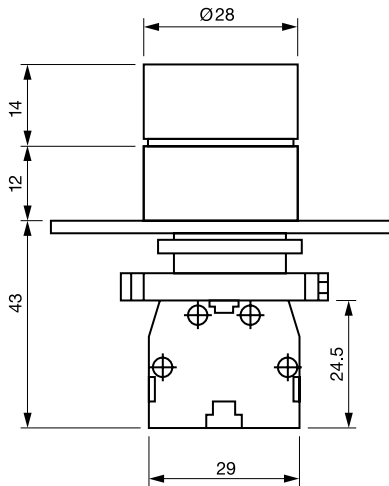
**XB2-BDx**



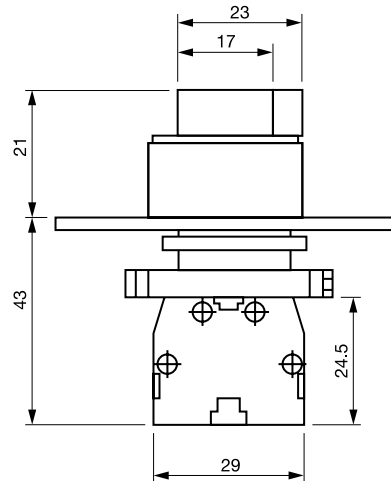
**XB2-BGx**



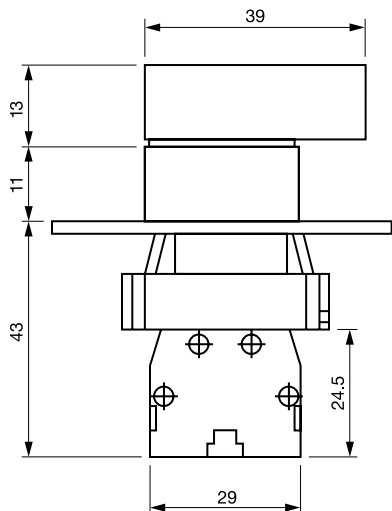
**XB2-EDx**



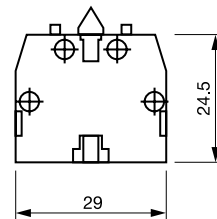
**XB2-EGx**



**XB2-BJx**



**ZB2-BE**



**E.C. Products Limited - Head Office**

EC House, Amberley Way, Hounslow  
Middlesex, TW4 6BH, United Kingdom

Tel: +44 (0)20 8569 4100 Fax: +44 (0)20 8569 4111