

## Description

XB2 series rotary selector switches are used in the control of electrical circuits. A choice of panel mounting bezel is available as well as long or short handles, key operated and 2/3 way versions. Illuminated versions in a choice of colours can also be supplied.

## Features

- Key operated versions
- Metal or plastic bezel
- 2 or 3 way versions
- Illuminated Versions



## Technical Specification

Rated Insulation Voltage: 660V

Operating Temperature: -5...+40°C

Operating Humidity: 45...85% RH

Contact Rating: 10(6)A @ 400V

Electrical Life: 50 x 10<sup>5</sup> operations

Protection: IP40

## Order Codes






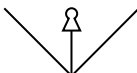
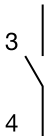
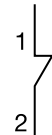
<b>XB2-BD21</b>	2 position NO stay put rotary switch - metal bezel
<b>XB2-BD25</b>	2 position NO + NC stay put rotary switch - metal bezel
<b>XB2-BD33</b>	3 position NO + NO stay put rotary switch - metal bezel
<b>XB2-BJ21</b>	2 position NO stay put rotary switch - metal bezel, long handle
<b>XB2-BJ25</b>	2 position NO + NC stay put rotary switch - metal bezel, long handle
<b>XB2-BJ33</b>	3 position NO + NO stay put rotary switch - metal bezel, long handle
<b>XB2-BG21</b>	2 position NO stay put rotary switch - metal bezel, key operated
<b>XB2-BG25</b>	2 position NO + NC stay put rotary switch - metal bezel, key operated
<b>XB2-BG33</b>	3 position NO + NO stay put rotary switch - metal bezel, key operated
<b>XB2-ED21</b>	2 position NO stay put rotary switch - plastic bezel
<b>XB2-ED25</b>	2 position NO + NC stay put rotary switch - plastic bezel
<b>XB2-ED33</b>	3 position NO + NO stay put rotary switch - plastic bezel
<b>XB2-EG21</b>	2 position NO stay put rotary switch - plastic bezel, key operated
<b>XB2-EG25</b>	2 position NO + NC stay put rotary switch - plastic bezel, key operated
<b>XB2-EG33</b>	3 position NO + NO stay put rotary switch - plastic bezel, key operated
<b>XB2-BK21</b>	2 position NO + NC stay put 24V LED illuminated rotary switch white - metal bezel
<b>XB2-BK23</b>	2 position NO + NC stay put 24V LED illuminated rotary switch green - metal bezel
<b>XB2-BK24</b>	2 position NO + NC stay put 24V LED illuminated rotary switch red - metal bezel
<b>XB2-BK25</b>	2 position NO + NC stay put 24V LED illuminated rotary switch yellow - metal bezel
<b>XB2-BK26</b>	2 position NO + NC stay put 24V LED illuminated rotary switch blue - metal bezel
<b>XB2-BK31</b>	3 position NO + NC stay put 24V LED illuminated rotary switch white - metal bezel
<b>XB2-BK33</b>	3 position NO + NC stay put 24V LED illuminated rotary switch green - metal bezel
<b>XB2-BK34</b>	3 position NO + NC stay put 24V LED illuminated rotary switch red - metal bezel
<b>XB2-BK35</b>	3 position NO + NC stay put 24V LED illuminated rotary switch yellow - metal bezel
<b>XB2-BK36</b>	3 position NO + NC stay put 24V LED illuminated rotary switch blue - metal bezel

### E.C. Products Limited - Head Office

EC House, Amberley Way, Hounslow  
Middlesex, TW4 6BH, United Kingdom

Tel: +44 (0)20 8569 4100 Fax: +44 (0)20 8569 4111

## Circuits

XB2-xD21	N/O	
XB2-xD25	N/O + N/C	
XB2-xD33	N/O + N/O	
XB2-xG21	N/O	
XB2-xG25	N/O + N/O	
XB2-xG33	N/O + N/O	
ZB2-BE10	N/O	
ZB2-BE102	N/C	

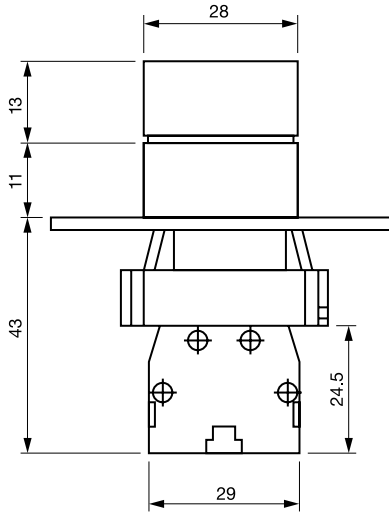
### E.C. Products Limited - Head Office

EC House, Amberley Way, Hounslow  
Middlesex, TW4 6BH, United Kingdom

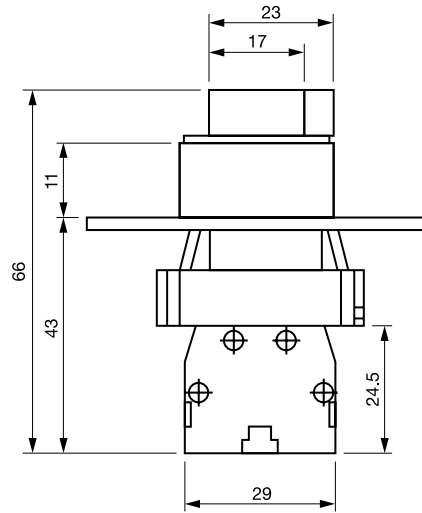
Tel: +44 (0)20 8569 4100 Fax: +44 (0)20 8569 4111

## Dimensions

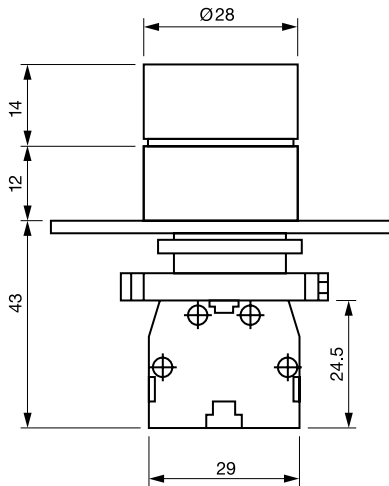
**XB2-BDx**



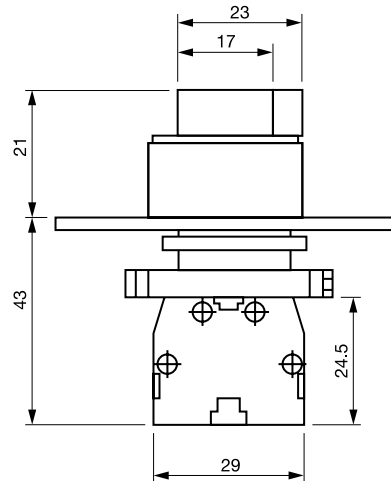
**XB2-BGx**



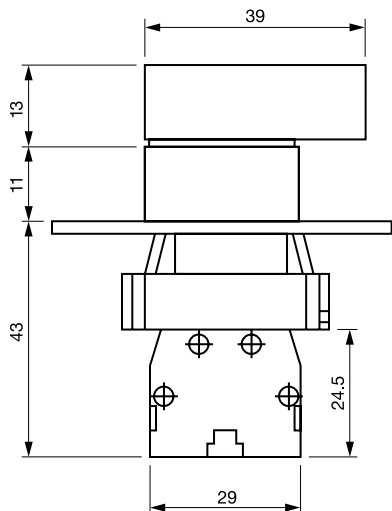
**XB2-EDx**



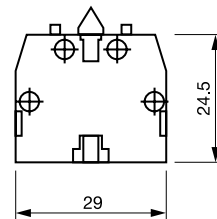
**XB2-EGx**



**XB2-BJx**



**ZB2-BE**



**E.C. Products Limited - Head Office**

EC House, Amberley Way, Hounslow  
Middlesex, TW4 6BH, United Kingdom

Tel: +44 (0)20 8569 4100 Fax: +44 (0)20 8569 4111