

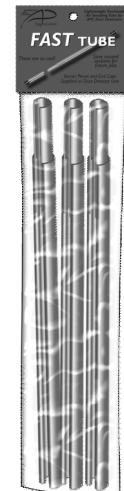


# Smoke Sampling Tube

## FAST TUBE

### Description:

The FAST Tube is the latest innovation allowing you to say goodbye to dirty, heavy metal air sampling tubes. These lightweight sectional sampling tubes are available now. The FAST TUBE is intended for use with Duct Smoke detectors SD2000. One bag of tubes will fit duct widths up to 1.8M.



### Order Codes:

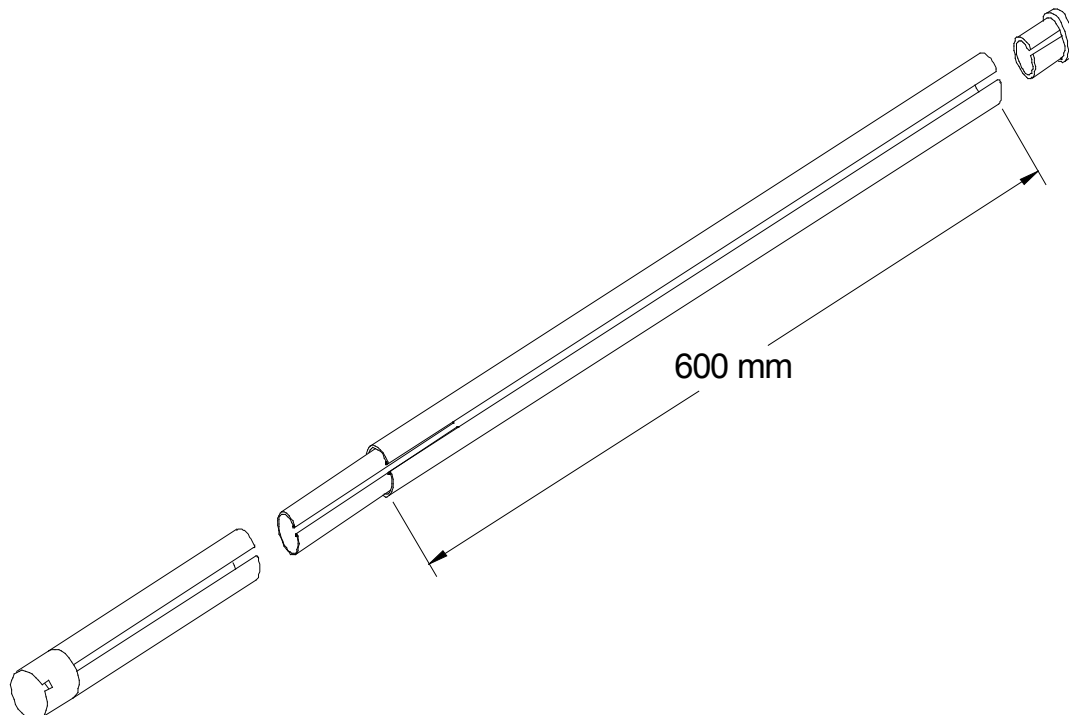
**FAST TUBE** Smoke Detector Sampling Tube Kit

### Installation an operation:

1. Assemble to length, Prep by affixing the starter from the detector hardware kit then Cut and Cap to final length.

### Features:

- Lightweight
- Can be cut to size
- Robust design .



### EC Products Limited

EC House, Amberley Way, Hounslow,  
Middlesex. TW4 6BH. United Kingdom  
Tel: +44 (0)20 8569 4100 Fax: +44 (0)20 8569 4111

