



Occupancy Sensor For Air Conditioning GESM-AC

Description:

A surface mounted PIR air conditioning (AC) controller that provides auto on/auto off switching of infrared controlled AC units, based on occupancy. As it controls use, significant energy savings can be achieved.

Battery powered and quick to install, the timeout period of the GESM-AC can be easily set up via push button operation.



Features:

- Adjust time delay settings via push buttons
- Compatible with most infrared controlled AC units
- Battery operated – it can also be powered from a USB power supply if hardwiring is preferred
- Presence detection – auto on, auto off
- Lockable settings
- Sleep mode extends battery life
- Supplied with two AA batteries

Technical Specification:

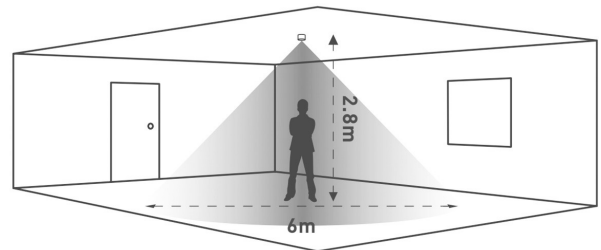
Type of Action:	Type 1.B action (micro disconnection)
Construction:	Independent, surface mounted, electronic control
Time out Range:	10s–30m
Compliance:	EMC-2004/108/EC
Material (casing):	Flame retardant ABS
Humidity:	5 to 95% non-condensing
Working Temp. Range:	0 to 40°C
Supply Voltage DC:	USB (5V DC) or 2x AA batteries (3V DC)
Weight:	100g
IP Rating:	40
Software:	Class A

Order Code:

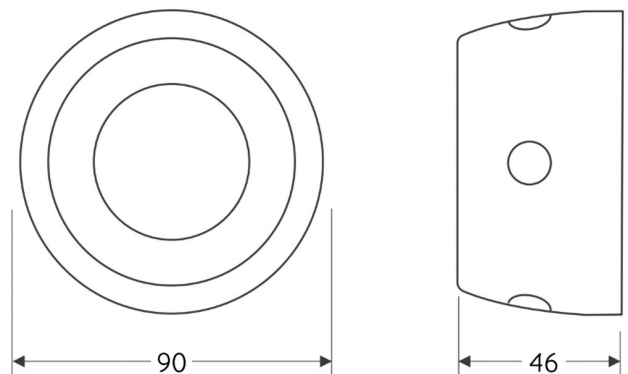
GESM-AC Occupancy Sensor For Air Conditioning

Detection Pattern:

high < sensitivity > low



Dimensions (mm):



EC Products Limited

EC House, Amberley Way, Hounslow,
Middlesex. TW4 6BH. United Kingdom
Tel:+44 (0)20 8569 4100 Fax: +44 (0)20 8569 4111